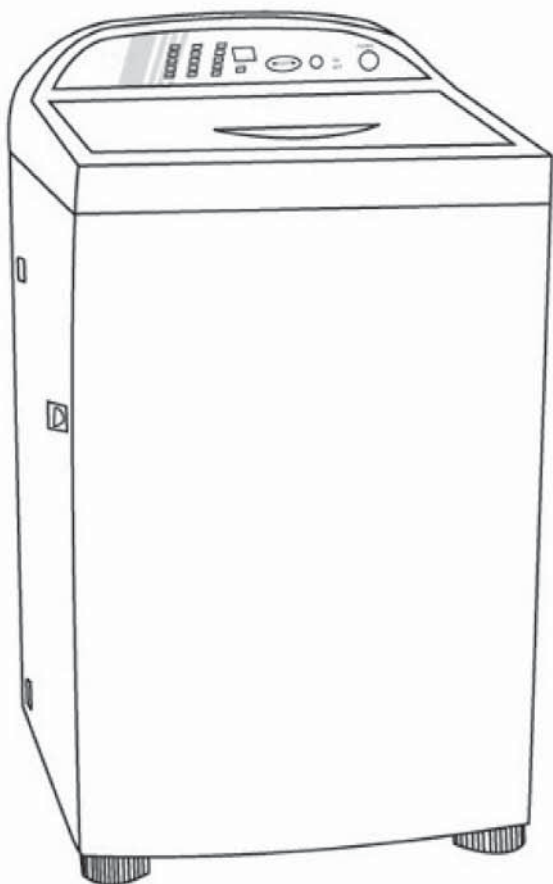


SUMMIT



Clothes Washer

Lava-linge

Lavadora de Ropa

User Manual-

Model #

Guide de l'Utilisateur-

Modèle

Manual del Usuario-

Para Modelo de

SPW1200

IMPORTANT SAFETY INSTRUCTIONS

Warning – To reduce the risk of fire, electric shock, or injury to persons when using your appliance, follow basic precautions, including the following:

1. **Read all instructions before using the appliance.**
2. Use this appliance only for its intended purpose as described in this use and care guide.
3. Use only detergents or softeners recommended for use in this appliance and keep them out of the reach of children.
4. This appliance must be properly installed in accordance with the installation instructions before it is used.
5. Never unplug your appliance by pulling on the power cord. Always grasp the plug firmly and pull straight out from the outlet.
6. Replace immediately worn power cords, loose plugs/power outlets.
7. Unplug your appliance before cleaning or before making any repairs.
8. If your old appliance is not being used, we recommend that you remove the door. This will reduce the possibility of danger to children.
9. Do not operate your appliance in the presence of explosive fumes.
10. Do not use this appliance to wash clothes soaked, spotted or washed in gasoline, dry cleaning solvents or any other explosive or flammable substances that could ignite and explode.
11. Clothes or rags used to clean flammable or explosive materials should not be washed in this appliance till all traces of this material has been removed, to avoid an accident.
12. Do not add or mix any flammable or explosive substances to the wash.
13. Do not try to remove clothes while the tub is moving. Let it come to a complete stop before use.
14. The appliance loading door must be closed when tub is spinning.
15. Do not operate your appliance when parts are missing or parts are broken.
16. Do not use this appliance for commercial clothes washing.
17. Do not operate this appliance unless all enclosure panels are properly in place.
18. Do not tamper with controls.

19. To reduce risk of injury do not allow children to play in or on the appliance. Close supervision of children is necessary when the appliance is used near children.
20. This appliance must be connected to proper electrical outlet with the correct electrical supply.
21. Proper grounding must be ensured to reduce the risk of shock and fire. **DO NOT CUT OR REMOVE THE GROUNDING PLUG.** If you do not have a three-prong electric receptacle outlet in the wall, have a certified electrician install the proper receptacle. The wall receptacle **MUST** be properly grounded.
22. Hydrogen gas may be produced if the water heater has not been used in more than 2 weeks. This could be explosive and can explode under certain circumstances. If this is the case, before using this appliance turn on all the hot faucets and let the hot water run for a few minutes. This will let the trapped hydrogen escape. During this process do not turn on an electric appliance, smoke, light a match/lighter or use a flame to avoid an accident, as hydrogen gas is flammable and can explode.
23. Do not repair or replace any part of the appliance or attempt any servicing unless specifically recommended in the user-repair instructions that you understand and have skills to carry out.
24. To reduce the risk of electric shock or fire, do not use extension cords or adapters to connect the unit to electrical power source.

SAVE THESE INSTRUCTIONS

Thank you for purchasing our *Summit* product. This easy-to-use manual will guide you in getting the best use of your washer.

Remember to record the model and serial number. They are on a label in back of the washer.

Model number

Serial number

Date of purchase

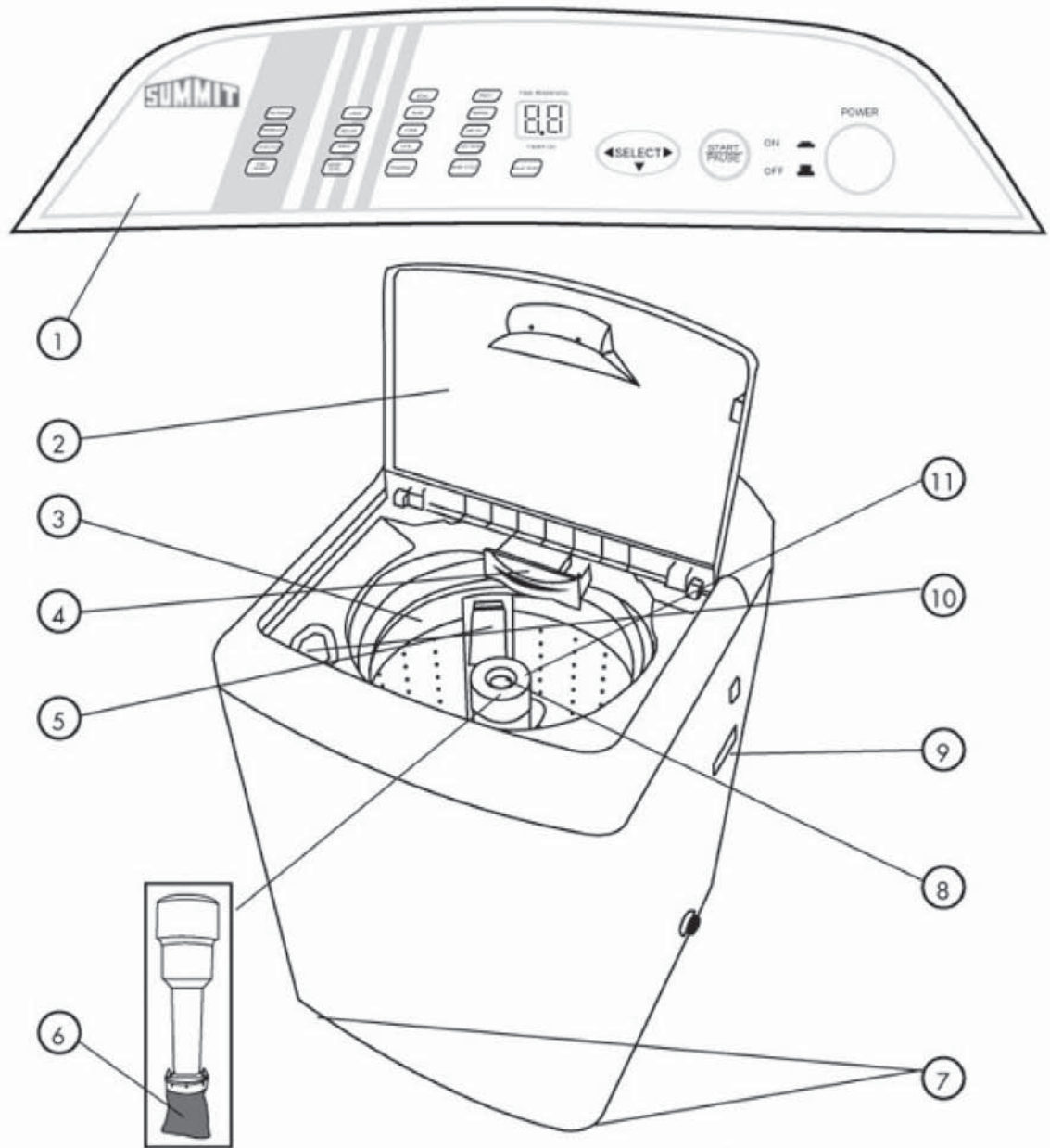
Staple your receipt to your manual. **You will need it to obtain warranty service.**

Table Of Contents

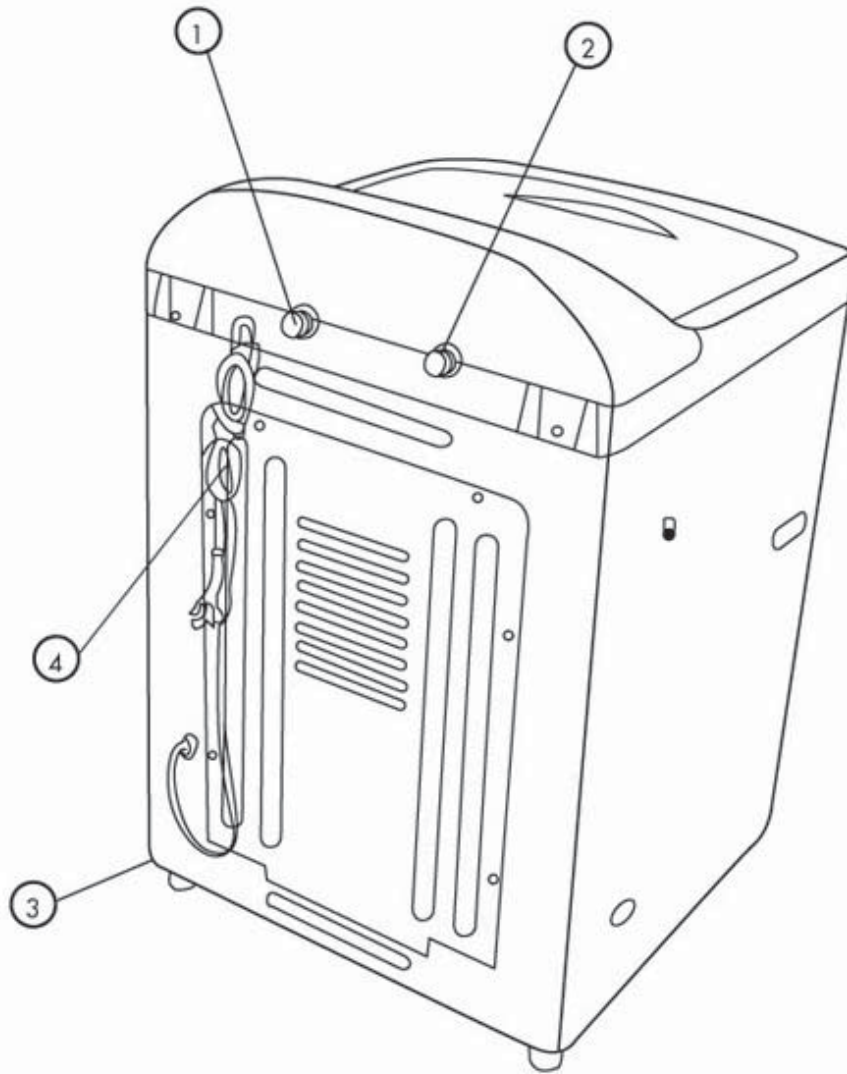
	PAGE
SAFETY INSTRUCTIONS	1
OPERATING INSTRUCTIONS	4
Parts and Features	4-5
Operations	6
Normal Operating Sounds.....	15
Care and Cleaning Guide	16
Cleaning and Maintenance	16
Moving and Vacationing	17
Storage of Your Washer	17
Troubleshooting	18
INSTALLATION INSTRUCTIONS	21
Tools and Materials Required	21
Unpacking Your Washer	22
Leveling Your Washer	22
Steps for Installation	23
Installing Quick Sink Adapter	25
Electrical Connections	27
Grounding Instructions.....	27
Power Interruptions	27

OPERATING INSTRUCTIONS

Parts and Features



- | | |
|--|--|
| 1. Control Panel | 7. Front Leveling Legs
(not shown) |
| 2. Top Lid | 8. Fabric Softener Dispenser |
| 3. Inner Tub | 9. Cabinet Handle (located on both
sides of the washer) |
| 4. Detergent/Softener Dispenser | 10. Bleach Dispenser |
| 5. Lint Filter | 11. Agitator |
| 6. Lint Filter in the Inner
Shaft of Agitator | |

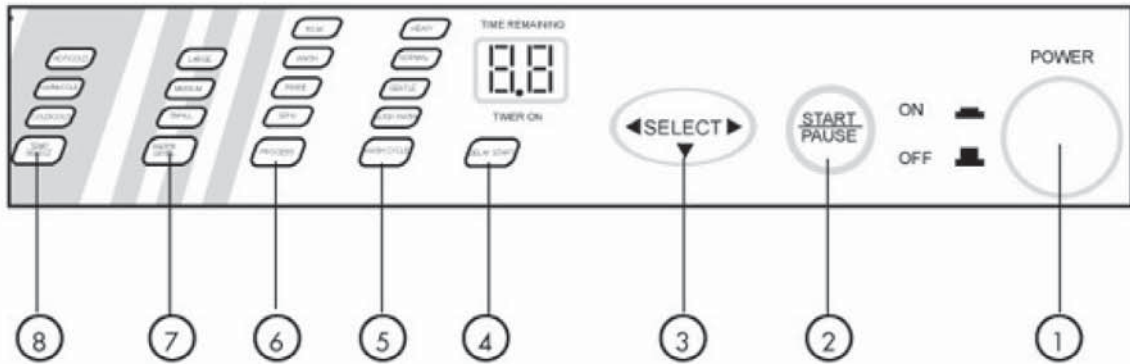


- 1. Hot Water Inlet Valve
- 2. Cold Water Inlet Valve

- 3. Drain Hose Connection (not shown)
- 4. Power Cord (115 Volt / 60 Hz)

OPERATIONS

Understanding the Control Panel



Power Button: (1)

Press the button in to have the power "ON" and press the button out to have the power "OFF".

Button In = Power On
Button Out = Power Off



Start/Pause Button: (2)

Press this button once to start the wash process. Press this button once again to pause the activity during the wash cycle. (See pg. #13 under "Start/Pause Button section for more details)



Select Button: (3)

Use left and right (◀▶) arrows on select button to select your options. Use down arrow (▼) on select button to select your choice in that option mode.

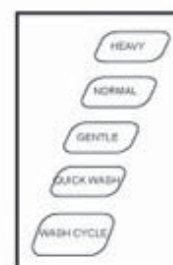


Delay Start Button: (4)

This convenient feature lets you delay the start of the wash cycle between 2 to 24 hours. Use "Select Button" to go to delay start option and use down arrow (▼) to choose the number of hours you want to delay the start of the cycle. (See pg. #14 under "Delay Start Button" section for more details)

**Wash Cycle Mode: (5)**

For your convenience, there are four fabric care wash cycles programmed in this mode: Heavy, Normal, Gentle and Quick Wash. (See pg. #10 under "Selecting Wash Cycle" section for more details)

**Process Mode: (6)**

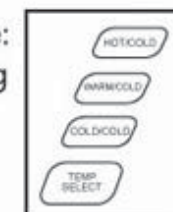
For your convenience, there are four choices to select from in this mode: Soak, Wash, Rinse and Spin. (See pg. #11 under "Wash Cycle Options" section for more details)

**Water Level Mode: (7)**

For your convenience, there are three water level choices to select from in this mode: Small, Medium and Large. (See pg. #12 under "Selecting Water Level" section for more details)

**Temperature Select Mode: (8)**

For your convenience, there are three temperature choices in this mode: Hot/Cold, Warm/Cold, and Cold/Cold. (See pg. #13 under "Selecting Wash/Rinse Temperature" section for more details)

**Proper Use of Fabric Softener:****Fabric Softener Dispenser**

It is located on the top of the agitator. Dispenser will automatically release liquid fabric softener at proper time during the rinse cycle.

Steps to use the dispenser

1. Use recommended amount by the manufacturers on the container.
2. Pour in recommended liquid fabric softener into dispenser.



(fabric softener dispenser)

- Warning:**
- Never pour fabric softener directly onto clothes because it will stain your clothes or you may get some spots on your clothes.
 - Use only liquid form of softener in the dispenser. **Do not use powder form of softener in the dispenser.**

Cleaning the Dispenser:

- Clean fabric softener dispenser after each use.
- Fill dispenser with clean water in wash cycles when not using softener. This will prevent from building up residue on or in the dispenser.

Proper Use of Detergent:

The amount of detergent to use depends on size of load, water type (hard or soft) and whether the clothes are heavily soiled or lightly soiled. Besides the performance of the washing machine the quality of the detergent also affects the washing result.

Proper Use of Bleach:

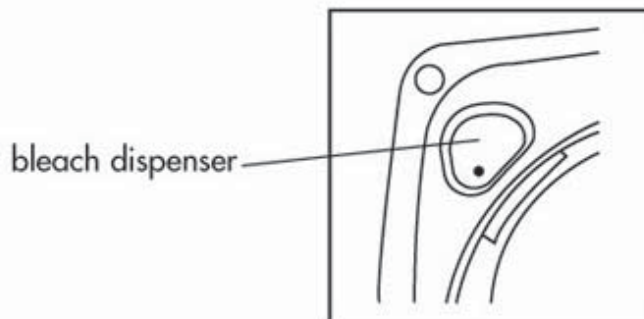
Use the manufacturer's chart for recommended use of liquid or powder bleach by looking on the container.

Warning: Be careful not to spill undiluted bleach on the washer cabinet or your clothes as it is a strong chemical. It may damage some of your clothes or the finish of the washer if not properly diluted.

Bleach Dispenser

It is located on top left front corner of the washer under the top lid.

Note: Use only **liquid bleach** in the dispenser. You can use powder bleach by directly adding to wash tub.



Filter

There are two lint filters in this washer as shown below.

First one is located inside the washer tub. There is a small nylon bag that will collect lint and residue from dirty clothes during the wash cycle.

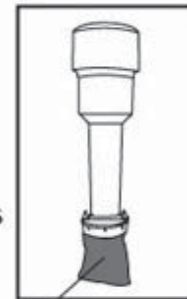


You must clean this lint filter after every load for the best results. Pull up the filter to remove. Clean and slide back the filter to replace.

The second one is located at the inner shaft of the agitator under the fabric softener dispenser.

Remove inner shaft of the agitator out to clean the filter. You will see that filter is located at the bottom of the shaft. The small nylon bag at the bottom of the shaft will collect lint and residue from dirty clothes during the wash cycle.

You must also clean this filter after every load for the best results. Press both sides of filter clips to detach from the shaft. Clean and snap the filter clips on to the shaft to attach it back.



(lint filter)

Note: Do not wash your clothes without filters in their compartments inside the tub.

Selecting Wash Cycle:

When you turn the power "ON", the machine will set the standard wash program to "Normal" wash position. You will see the red light lit up at both Normal wash cycle and Wash Cycle Mode position.



For your convenience, you can select from four fabric care wash cycles: Heavy, Normal, Gentle and Quick Wash. Select the appropriate cycle based on the fabric type.

If you want to select your desired option at this time, use down arrow (▼) to select the proper wash cycle for your load.

Heavy Cycle:

This is used for work & play, household linens and heavy to lightly soiled cottons clothes. With heavy wash speed, the agitator moves faster. This cycle is approximately 44 to 50 minutes.

Note: If you want to select "Soak" option when using this cycle, select "Process Mode" by pressing left arrow (◀) on select button. Once you are at that setting, press the down arrow (▼) five times on select button to set this option. You will see Soak → Wash → Rinse → Spin sequence lit up with red light. The soak time will be approximately 35 minutes in this cycle.

Normal Cycle:

This is used for soiled permanent press, silks, woolens, nylon and acrylic fabrics. With normal wash speed, the agitator moves faster. This cycle is approximately 44 to 50 minutes.

Note: If you want to select "Soak" option when using this cycle, select "Process Mode" by pressing left arrow (◀) on select button. Once you are at that setting, press the down arrow (▼) five times on select button to set this option. You will see Soak → Wash → Rinse → Spin sequence lit up with red light. The soak time will be approximately 25 minutes in this cycle.

Gentle Cycle:

This is used for special care fabrics, labeled "Hand Washable", lingerie with light soil clothes and delicate items. With Gentle wash speed, the agitator moves very gently to protect your delicate items from wear and tear. This cycle is approximately 31 minutes.

Note: You can not select "Soak" option when using gentle cycle.

Quick Cycle:

This is used for small load of lightly soiled items that needs to be washed quickly. With quick wash speed, the agitator moves slower. This cycle is approximately 24 minutes.

Note: You can not select "Soak" option when using quick cycle.

Wash Cycle Options: (Process Mode)

When you turn the power "ON", the machine will set automatically to "Wash→Rinse→Spin" program. You can change this setting by pressing "Select Button" to select other options.



Follow the procedure below when manually selecting wash cycle options:

Select Button

- (Preset) from the factory
- Push one time
- Push two times
- Push three times
- Push four times
- Push five times

Cycle Type

- For Wash-Rinse-Spin
- For Wash only
- For Wash-Rinse
- For Rinse-Spin
- For Spin only
- For Soak-Wash-Rinse-Spin

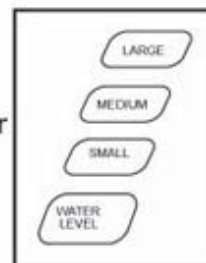
Soak Option: This is used for heavily soiled or stained clothes. Here the tub fills with water allowing clothes to soak with periodic water movement. The cycle is completed when water is extracted by spinning of the drum. This cycle is approximately 25 to 35 minutes.

Rinse Option: In this cycle, the machine sprays fresh cold water to remove soil and odor of the detergent from the clothes. The rinse time varies for each cycle.

Spin Option: In this cycle, the water is extracted from the clothes by spinning of the drum at the end of the cycle, so your clothes are not as damp when taking out to dry. The spin time varies for each cycle.

Selecting Water Level:

When you turn the power "ON", the initial water level is set at "MEDIUM" position. The red light will be on at this position. For your convenience, there are three water level options you can select from depending on the size of your load: Small, Medium and Large.

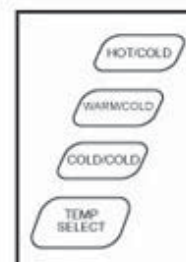


If you want to select your desired option at this time, follow the procedure below.

1. Keep pressing left arrow (◀) on select button until the red light of the "Water Level" button is lit up.
2. Once you are at this setting, use down arrow (▼) to select the proper water level for your load.

Selecting Wash/Rinse Temperature:

When you turn the power "ON", the initial temperature is set at "Cold/Cold" position. You will see the red light lit up at this position. For your convenience, there are three temperature options you can select from based on the fabric type: Hot/Cold, Warm/Cold and Cold/Cold.



If you want to select your desired option at this time, follow the procedure below.

1. Keep pressing left arrow (◀) on select button until the red light of the "Temp Select" button is lit up.
2. Once you are at this setting, use down arrow (▼) to select the proper temperature option for your clothes.

Always refer to the label on the garment for proper temperature that is recommended by garment manufacturers. See the reference chart below to select proper temperature for the fabrics.

WASH/RINSE

Cold/Cold

Warm/Cold

Hot/Cold

TYPES OF FABRICS

Non-colors Fabrics, lingerie with light or normal soil clothes & special care fabrics

Delicate & colors Fabrics

Sturdy whites & colors Fabrics such as work & play clothes, soiled fabrics

Start/Pause Button:

After selecting your options and closing the washer door properly, you need to press the "Start/Pause" button to start the washer.



If you want to pause during the cycle, simply press "Start/Pause" button. This will stop the activity during the cycle until you press this button again to resume the cycle.

Delay Start Button:

This convenient option lets you delay the start of the wash cycle between 2 to 24 hours.

- Press right arrow (▶) on select button to go to "Delay Start."
- To choose the number of hours you want to delay the wash, press down arrow (▼) on select button.
- During this cycle if you want to cancel, you must turn the power off and reselect the option.



End of Cycle Signal:

The machine will beep at the end of the cycle, indicating that the washing is complete and washer will turn off automatically.

Closing the Top Lid:

As a safety device, you must always have the top lid closed during the wash process. If you open the top lid while the wash cycle is on, you will observe the following.

- The machine will beep.
- The filling and the draining of the water will stop.
- The tub will not spin while the lid is open.
- If the unit is in the wash mode it will stop.

Simply close the top lid and press the start/pause button to resume the cycle again.

Steps for the Wash Process:

1. Turn the power "On".
2. Fill the detergent/softener dispenser.
3. Selecting the cycle:

Note: If you choose to keep the "Presets" of the cycle, skip to step # 5. If you choose to change any or all of the preset options, continue with step # 4. There may be some restrictions when choosing selected options.

4. Manually Selecting Your Options
 - A. When selecting wash cycle and wash cycle options (Process Mode), please refer to "Wash Cycle" and "Wash Cycle Options (Process Mode)" section on pages 10-11 for more details.
 - B. When selecting water level, please refer to "Selecting Water Level" section of page 12 for details.
 - C. When selecting temperature, please refer to "Selecting Wash/Rinse Temperature" section of page 13 for details.
 - D. When selecting delay start, please refer to "Delay Start Button" section of page 14 for details.
 - E. Once you have selected proper options go to step # 5.
5. Sort and Load clothes into the wash tub.
6. Close the washer door properly.
7. Press the "Start/Pause" button to begin the wash process.

Normal Operating Sounds

The following sounds are normally heard during the operation of the washer:

- Air rushing noise: This happens when the Washer tub spins at very high RPM.
- Wash and Rinse cycles going on and off will also make clicking sounds.

Care and Cleaning Guide

Warning: Always unplug your appliance to avoid electric shock before cleaning. Ignoring this warning may result in death or injury. Before using cleaning products, always read and follow manufacturer's instructions and warnings to avoid personal injury or product damage.

Cleaning and Maintenance

Use only damp or sudsy cloth for cleaning control panel.

- To avoid any kind of damage to cabinet finish, wipe appliance cabinet as needed. If you spill liquid/powdered softener, bleach or detergent on the cabinet, wipe cabinet immediately because it can damage the finish.
- Do not use any abrasive, harsh chemicals, ammonia, chlorine bleach, concentrated detergent, solvents or metal scouring pads. Some of these chemicals may dissolve, damage and/or discolor your appliance.
- Remove pins or other sharp objects from clothes to prevent scratching interior parts.
- Lint filter needs to be cleaned before and after each use for your appliance to operate at optimum efficiency. **DO NOT USE YOUR WASHER WITHOUT THE LINT FILTER IN PLACE.**
- The Detergent Dispenser Compartment and fabric softener dispenser are removable. Over time, they may accumulate dried detergent, dirt and debris. You must remove them and rinse in a sink or remove debris with a soft brush.
- The filter screen of the water inlet valve is likely to be blocked by some soil or residue. Clean it on a regular basis.

Moving & Vacationing

- Turn off water supply faucets and disconnect hoses. Drain water from all hoses. This will prevent from damaging due to water leakage if the hoses accidentally get ruptured or they become loose.
- Disconnect electrical plug.
- Dry inner wash tub. If moving washer, disconnect drain hose.
- Turn the leveling legs clockwise all the way in.
- To prevent mold or mildew, leave door open so moisture inside machine can evaporate.
- Reinstall the foam base/styrofoam at the bottom to prevent internal part from shaking when the washer is being moved to another location. This is used to secure the washer from shipping damage due to vibration and shock.

Storage of Your Washer

- This appliance must be stored at room temperature.
- If you just got delivery of this appliance when outside temperature is below freezing, do not operate until this appliance has adjusted to room temperature.
- Do not install or operate this appliance in an area where room temperature is below freezing.

Troubleshooting

Check the following before calling for service.

Washer does not operate:

- Check if unit is plugged in. The plug may have come loose.
- Check if the electrical wall receptacle is of proper voltage.
- Check if the circuit breaker needs to be reset or if the fuse needs to be replaced.
- Check if the washer is overloaded: load may need to be re-balanced and clothes may need to be redistributed.
- Check if the door is open. You may have to close the door properly.
- The washer pauses in some cycles. This is normal in heavy and normal cycle, which has short soak period where your clothes are being soaked for very short period of time. You will not hear washer operate for a short period of time. When the soak time is over, it will start automatically.
- Check if option selections are set properly. You may have to adjust proper setting. (refer to "Operation" section)
- Check if you have selected "Delay Start" option. You may have to turn that option off and restart.
- Check the Power "On/Off" button to see if it is on "OFF" position. You may have to press the button to set it on "ON" position.
- Check if the "Start/Pause" button is on "Pause" mode. Press this button to start the wash process.

The machine beeps and display shows error codes:

- E0 – This code is displayed when the washer door is not shut properly during the delay start mode.
Close the washer door properly to continue.
- E1 – This code is displayed when the draining is too slow.
The hose could be blocked, or not properly set.
Arrange the hose properly in order to drain.
- E2 – This code is displayed when the washer stops running during the Wash → Spin → Rinse mode.
The washer door is not closed properly.
Close the top washer door properly to continue.
- E3 – This code is displayed when the washer does not spin.
This is due to the washer not leveled properly or the tub is overloaded.
Adjust the leveling legs to balance the washer. Take out some clothes and rearrange clothes inside the tub.
- E4 – This code is displayed when the machine stops running after 15 minutes because incoming water flow is very slow.
This is due to not having the faucet open properly.
Open the water faucet properly to increase the incoming water flow.

Problems with water:

- Not enough water coming out: Water faucet may need to be turned on fully. Water hoses may be tangled up or wrinkled up. Straighten up hoses. Check water level selection, it may need to be readjusted.
- Water leaks: This is due to not properly installing drain hose or fill hoses. Your home drain may be clogged or having constant water pressure. You may need to tighten hoses, check the plumbing or call a plumber.
- Water will not drain: This is due to not installing your drain hose properly. You may need to arrange the drain hose properly. Check the position of the drain hose.
- There may be some water flowing out of the drain hose in the first use of the machine. This is due to the remaining water left in the tub at the factory to inspect and test the performance of the unit to assure the best quality.

Washer is making noise:

- Washer may need to be reinstalled. (Check washer installation section)
- Washer load may need to be re-balanced, as the load may be uneven.
- Coins, loose change, buttons or other heavy objects could make noise (read Operating Guide – Normal Operating Sounds).
- Squealing Sound: Due to overloaded wash tub.
- Vibration Noise: Due to not leveling washer properly on the floor and uneven distribution of clothes in the tub.

Problems with clothes:

- Clothes are too wrinkled: this is due to improper sorting and overloading. Do not mix heavy clothes such as work clothes with light clothes such as blouses, light shirts and delicate items.
- Have soap residue: detergent may not be dissolving in water. Check water temperature or you need to add detergent as wash tub is being filled with water, before you load your clothes to avoid soap residue on clothes.
- Spots or stains on your clothes: this is due to incorrect use of fabric softener. Read instructions on the container and follow proper directions for using the softener.
- Due to not pouring enough detergent for large loads. Clothes may turn gray or yellow shade.
- Clothes are ripped & have holes: this is due to sharp objects such as pins and belt buckles left in pockets. You will need to remove small loose sharp objects. Fasten belts, zippers, metal snaps etc. Check if you are using undiluted bleach. Never add undiluted bleach to wash.

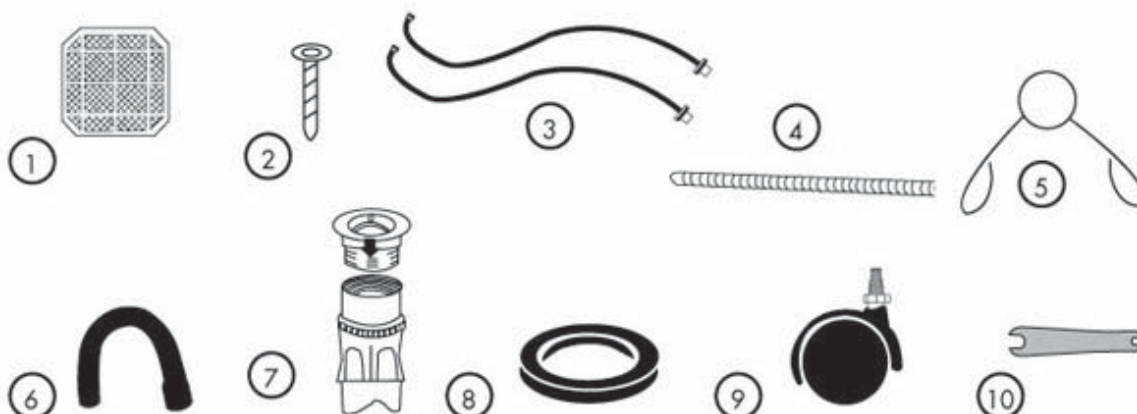
INSTALLATION INSTRUCTIONS

Tools and Materials Required

You will need to have following tools to help you in the installation of your Washer:

- Scissors
- Phillips Screwdriver
- Standard Screwdriver
- Pliers
- Wrench
- Tape Measure
- Gloves
- Level

Accessories Supplied	Quantity
1. Bottom panel	1
2. Screws for the bottom pannel	8
3. Water inlet hose	2
4. Drain hose	1
5. Drain hose clamp	1
6. Drain hook (goose neck)	1
7. Quick sink faucet adapter	1
8. Rubber Washers	5
9. Casters	1 set (4)
10. Wrench for Casters	1

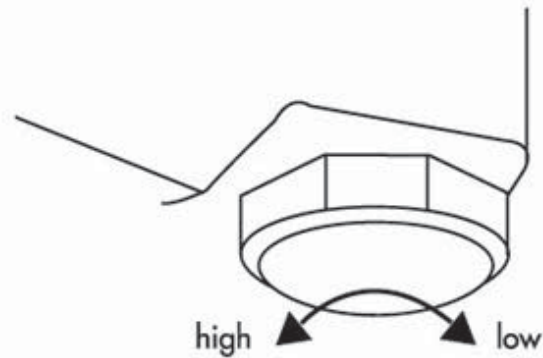


Unpacking Your Washer

- Remove all packing materials. This includes the foam base and all adhesive tape holding the washer accessories inside and outside. Slide out and remove bottom styrofoam that is used to secure the washer from shipping damage due to vibration and shock.
- Inspect and remove any remains of packing, tape or printed materials before using the washer.

Leveling Your Washer

- Your washer has 4 leveling legs; which are located on the four bottom corners. After properly placing your washer in its final position, you can level your washer.
- Leveling legs can be adjusted by turning them counterclockwise to raise your washer or turning them clockwise to lower your washer.



Steps for Installation

Installation Pre-Requirement:

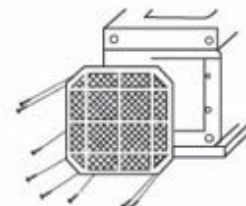
- Select a suitable location for the washer on a hard even surface away from direct sunlight or heat source e.g. radiators, baseboard heaters, cooking appliances etc.
- Any floor unevenness should be corrected with the leveling legs located on the bottom corners of the washer.
- The washer must be placed at room temperature. You must not place washer where the temperature is at below freezing.

Installing the Bottom Panel:

The purpose of the bottom panel installation is to block the noise and give you quite performance of the washer during the operation.

Steps:

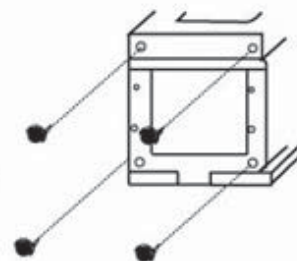
1. You must first lay down the washer on its rear side.
2. Insert the panel to the bottom of the machine.
3. Get a screwdriver to tighten the screw in the hole of the panel and the unit at the bottom of the washer. (8 screws are supplied)
4. Once all screws are installed and the panel is set properly, return the washer to its standing position.



Installing Casters

Please follow the steps below to install the casters properly:

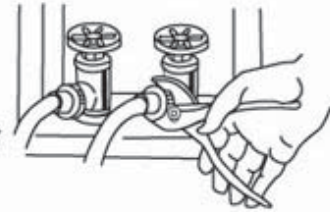
1. First lay the washer down with the left or right side facing up.
2. You will see 4 leveling legs. One located at the bottom of each corner. Turn each leveling leg one by one counterclockwise to remove.
3. Once all 4 leveling legs are removed properly, match the thread shaft of the caster to the bottom hole of the leveling leg.
4. Insert the caster into the hole and turn clockwise until it is tight. Repeat the same for each caster.
5. Once all wheels are installed and "casters" are set properly, return the washer to its standing position.
6. Each Caster comes with a lock. **During the wash process you must lock all the casters** so the washer can stay stable at one place and does not move away. Follow the procedure below to lock and unlock the casters.
 - A. To move your washer, keep the plastic clip on the caster at the upper position. This will release the lock.
 - B. To keep the washer stable at one place, keep the clip on the caster at the lower position in order to lock the washer.



Installing Your Washer:

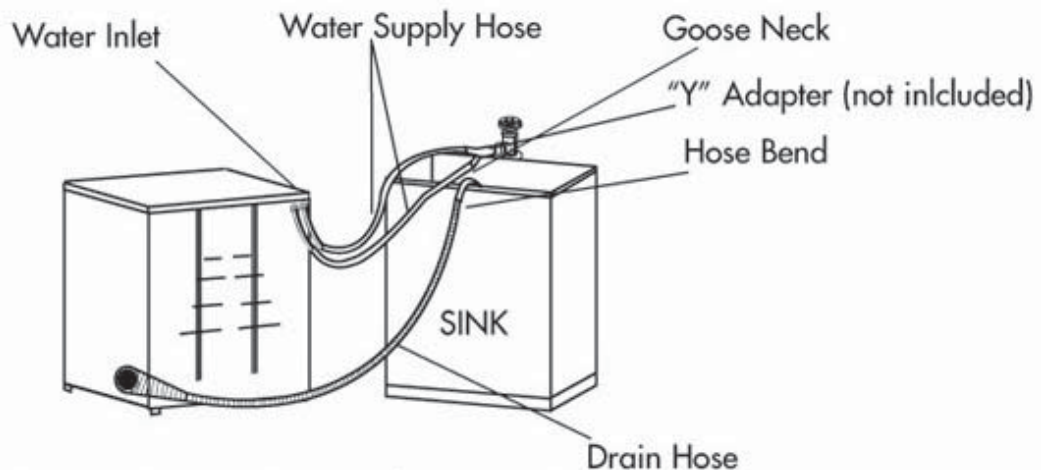
Read install instructions carefully before installation.

1. Insert a new flat rubber washer into each end of the inlet hoses. Firmly put the washers in the coupling.
2. Connect the hot and cold water inlet hoses to the hot and cold water faucet.
3. Connect the other end to their respective washer inlet located at the back of the machine.



Note: You may have to use pliers to tighten the coupling. Do not over tighten because you may cause damage to the valve.

4. Install the drain hose to the side of the washer using drain hose clamp. The drain hose must be placed into a drainpipe or sink at least 1 1/2 inches in diameter. Use the gooseneck to hold hose in place. To avoid possible water back up, the drain hose must reach height of at least 31 1/2 inches minimum and 40 inches maximum.



Note: "Y Adapter" shown in above figure is only for illustration. It is not provided in the box as an accessory. If you need to utilize this type of hookup, you can purchase a "Y Adapter" from your nearest hardware store.

5. Plug in the Washer to a regular 115 Volt / 60 Hz, 15 Amps outlet.

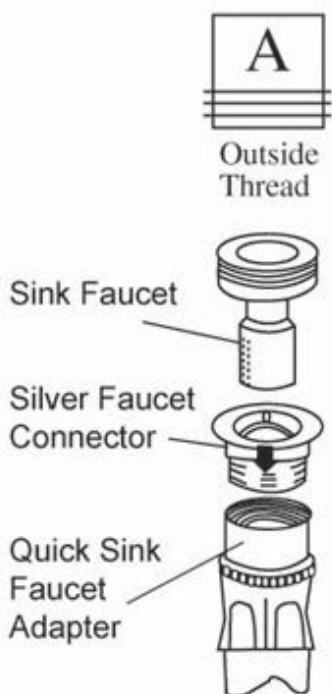
Note: Inspect carefully for any leaks around and back of the machine. If there is a leak then double check to see if any connections are loose. You may need to tighten loose connections.

CAUTION: If after completing these steps, you are unsure that unit is properly installed, contact a qualified installer. To ensure that your Washer is properly installed it is recommended that it be installed by a certified installer.

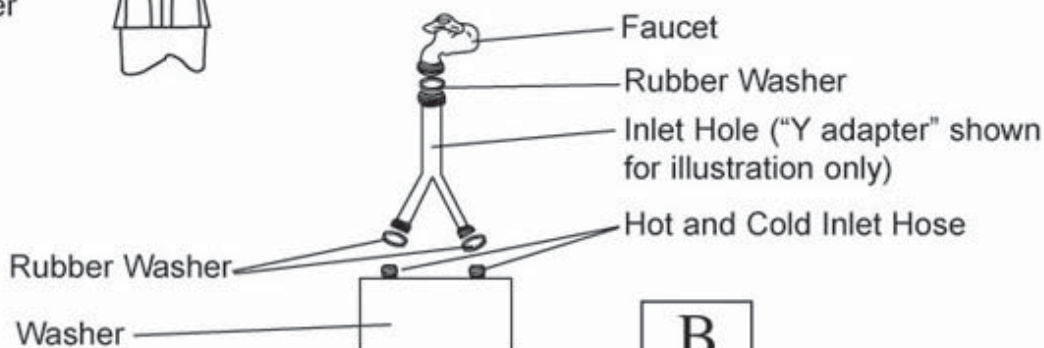
Installing Quick Sink Adapter:

When installing quick sink faucet adapter to the faucet, follow the steps below:

For Outside Thread

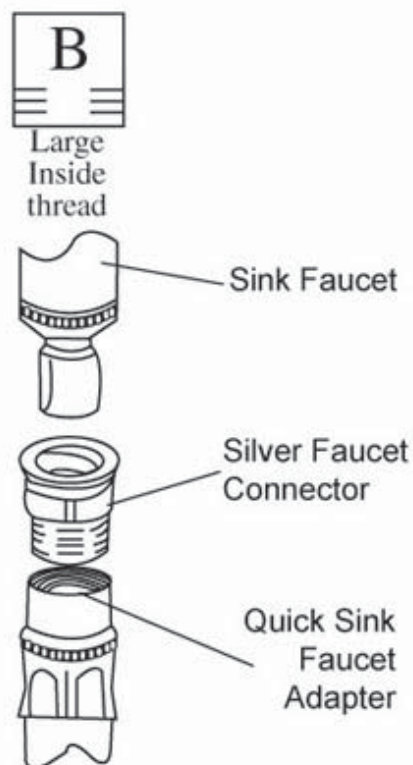


- First remove the aerator from your faucet nozzle and determine the size/type of the faucet.
- Once you determine the size/type of the faucet, place the proper size of rubber washer in silver faucet connector.
- Connect the silver faucet connector to the faucet.
- Pull down and hold the collar on the quick sink faucet adapter. Push it onto the faucet connector and release the collar. The quick sink faucet adapter should easily snap into place.
- Insert rubber washer into the other end of the water supply and connect to the water inlet valve on top of the washing machine.

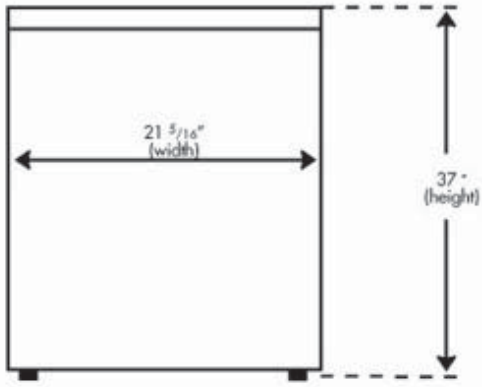


For Large Inside thread

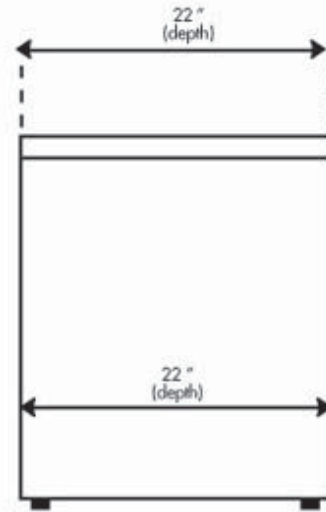
- Insert large size of rubber washer into the silver faucet connector.
- Connect the silver faucet connector into the faucet.
- Follow the steps D and E above.



Unit Dimensions



FRONT VIEW



SIDE VIEW

Electrical Connections

Grounding Instructions

This appliance must be grounded. In the event of an electrical short circuit, grounding reduces the risk of electric shock by providing an escape wire for the electric current. This appliance is equipped with a cord having a grounding wire with a grounded plug. The plug must be inserted into an outlet that is properly installed and grounded.

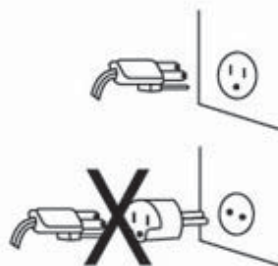


- Improper use of the plug can result in a risk of electric shock.
- Consult a qualified electrician or service person if the grounding instructions are not completely understood or if doubt exists as to whether the appliance is properly grounded.

Wiring Requirements:

- This appliance must be plugged into at least 15 AMP 115-120 VOLT, 60 HZ GROUNDED OUTLET.

Note: Where a standard two-prong outlet is encountered, it is the personal responsibility and obligation of the consumer to have it replaced with a properly grounded three-prong outlet.



Extension Cords:

We do not recommend that you use an extension cord.

Power Interruptions

Occasionally there may be power interruptions due to thunderstorms or other causes. Remove the power cord from AC outlet when a power outage occurs. When power has been restored re-plug power cord to AC outlet. If outage is for a prolonged period, clean washer before using it again.