



SUMMIT CLASSIC COLLECTION

Owner's Manual
Manuel du propriétaire

BUILT-IN ICE MAKER

MACHINE À GLAÇONS

Model / Modèle CLIM15

Makes 32 lbs daily / Ice storage capacity: 25 lbs

32 livres par jour / la capacité de la boîte de glace est 25 livres

**BEFORE USE, PLEASE READ AND FOLLOW
ALL SAFETY RULES AND OPERATING INSTRUCTIONS
AVANT D'UTILISER CET APPAREIL, VEUILLEZ LIRE ET RESPECTER
TOUTES LES RÈGLES DE SÉCURITÉ ET INSTRUCTIONS D'UTILISATION**

Write the Serial Number here:
Inscrivez le numéro de série ici :

Felix Storch, Inc.
Summit Appliance Division
770 Garrison Avenue
Bronx, NY 10474
www.summitappliance.com

TABLE OF CONTENTS

Important Safety Information	2
Installation Instructions	3 – 8
<i>Before Using Your Ice Maker</i>	3
<i>Installation of Your Ice Maker</i>	3
<i>Installation Specifications (Built-In)</i>	3
<i>Connecting Ice Maker to Water Supply</i>	4 – 5
<i>Door Reversal Instructions</i>	5
<i>Ice Maker Performance Mode Instructions</i>	6 – 8
Operating Instructions	8 – 10
<i>Controls of the Ice Maker</i>	8 – 9
<i>Controlling the Size of Ice Cubes</i>	10
<i>Ice Bin</i>	10
Care and Maintenance	11 – 12
<i>Cleaning Your Ice Maker</i>	11
<i>Power Failure</i>	11
<i>Moving Your Ice Maker</i>	11
<i>Vacation Time</i>	11
<i>Cleaning the Inner Water Container</i>	12
Troubleshooting	13
Limited Warranty	15

NOTES ON INSTALLATION OF ICE MAKER CLIM15

When installing the ice maker under a counter or other enclosed space, follow these spacing dimensions: Allow approximately 2" (50 mm) of clearance at rear, 1/16" (2 mm) at the top and 1" (25 mm) at sides for proper air circulation. The ventilation grille at the bottom should never be blocked. The installation should allow the ice maker to be pulled forward for servicing if necessary.

Even if the unit is to be installed free-standing, leave at least 4" of clearance at sides, top and back.

See pages 3-5 for more details on installation.

IMPORTANT SAFETY INFORMATION

READ ALL SAFETY INFORMATION BEFORE USING. WARNING: RISK OF CHILD ENTRAPMENT

An empty ice maker is a very dangerous attraction to children. Remove either the gasket, latches, lock and/or doors from unused or discarded appliances, or take some other action to make sure it is harmless.

PRECAUTIONS

To avoid installation/operation difficulties, read these instructions thoroughly.

- This appliance must be grounded. Connect only to a properly grounded outlet. See "Grounding Instructions" section.
- Do not operate this appliance if it has a damaged power cord or plug, if it is not working properly, or if the appliance has been damaged or dropped.
- Never allow children to operate, play with, or crawl inside the appliance.
- Never clean appliance parts with flammable fluids. The fumes can create a fire hazard or explosion.
- Do not store or use gasoline or any other flammable vapors or liquids in the vicinity of this or any other appliance. The fumes can create a fire hazard or explosion.
- Do not splice the power cord that is equipped with this appliance.
- Keep the power cord away from heated surfaces.
- Do not immerse power cord plug or the appliance itself in water.
- Do not use this product near water, for example, in a wet basement, near a swimming pool or near a sink.
- Do not use corrosive chemicals or vapors in this appliance.
- Use this appliance only for its intended use, as described in this manual.
- See door surface cleaning instructions in the Care and Cleaning section(s) of this manual.
- Do not cover or block any openings on the appliance.
- This appliance is intended for household use only. Do not attempt to operate or store this appliance outdoors.
- This appliance should be serviced only by qualified service personnel. Contact the nearest authorized service facility for examination, repair or adjustment.

GROUNDING INSTRUCTIONS



WARNING:

Improper use of the grounding plug can result in a risk of electric shock.

- This appliance must be grounded. In the event of an electrical short circuit, grounding reduces the risk of electric shock by providing an escape wire for the electric current.
- This appliance is equipped with a power cord having a grounding wire with a grounding plug. The plug must be plugged into an outlet that is properly installed and grounded.
- Consult a qualified electrician or service technician if the grounding instructions are not completely understood, or if doubt exists as to whether the appliance is properly grounded.
- If the outlet is a standard 2-prong wall outlet, it is your personal responsibility and obligation to have it replaced with a properly grounded 3-prong wall outlet.
- For best operation, plug this appliance into its own electrical outlet to prevent flickering of lights, blowing of fuse or tripping of circuit breaker.
- **Do not** under any circumstances cut or remove the third (ground) prong from the power cord.
- **Do not** use an adapter plug with this appliance.
- **Do not** use an extension cord with this appliance. If the power cord is too short, have a qualified electrician or service technician install an outlet near the appliance.

DANGER! *Risk of child entrapment*

Before you throw away your old appliance:

- Take off the door.
- Leave the shelves in place so that children may not easily climb inside.

INSTALLATION INSTRUCTIONS

BEFORE USING YOUR ICE MAKER

- Remove the exterior and interior packaging.
- Before connecting the Ice Maker to the power source, let it stand upright for approximately 2 hours. This will reduce the possibility of a malfunction in the cooling system from handling during transportation.
- Clean the interior surface with lukewarm water using a soft cloth.
- Attach the water inlet and outlet pipe, loosen the screwnut, choose the function switch. (See Ice Maker Performance Mode instructions.)
- **Before first use:** Make two full batches of ice and then discard to insure that future batches are clean and sanitary.

ATTENTION

- Do not open the door unless necessary.
- If the Ice Maker will not be used for a long period, it is suggested, after a careful cleaning, to leave the door ajar to allow air to circulate inside the cabinet. This will minimize the formation of condensation, mold and odors.

INSTALLATION OF YOUR ICE MAKER

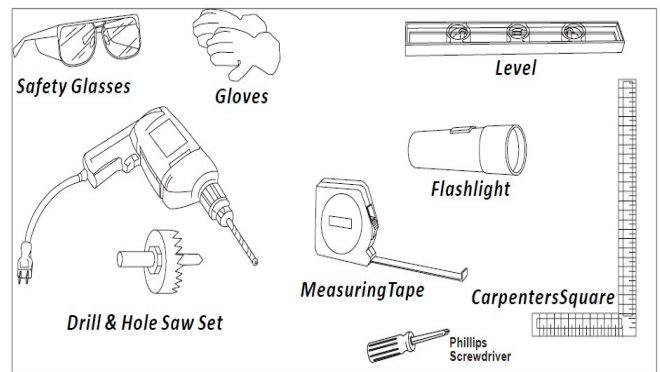
- Place your Ice Maker on a floor that is strong enough to support it when it is fully loaded. To level your Ice Maker, adjust the front leveling leg at the bottom of the unit.
- Locate the Ice Maker away from direct sunlight and sources of heat (stove, heater, radiator, etc.). Direct sunlight and heat sources may increase electrical consumption. Extremely cold ambient temperatures may also cause the unit not to perform properly.
- Avoid locating the unit in moist areas.
- Plug the unit into an exclusive, properly installed, grounded wall outlet. Do not under any circumstances cut or remove the third (ground) prong from the power cord. Any questions concerning power and/or grounding should be directed toward a certified electrician or an authorized service center.

INSTALLATION SPECIFICATIONS (BUILT-IN)

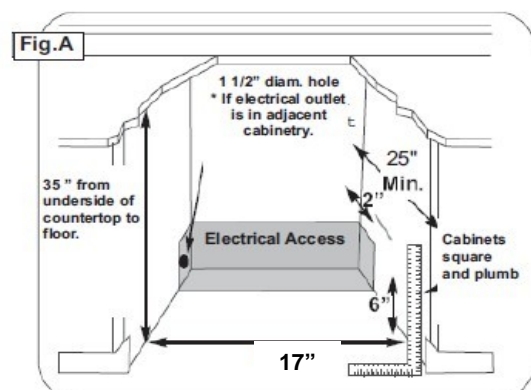
TOOLS YOU WILL NEED

FOR YOUR SAFETY:

While performing installations described in this section, gloves, safety glasses or goggles should be worn.



- It is recommended that you do not install the unit directly beside a wall. This is to allow the door to have a greater than 90° opening swing. A limited door swing may lead to damaging the door gasket.
- The rough cabinet opening must be on a level floor area at least 25" deep and 17" wide. The opening should have a height of at least 35".
- The electrical outlet may be positioned from within either side of the adjacent cabinetry, or the rear of the shaded area (as shown in Fig A).
- If the electrical outlet is located inside the adjacent cabinetry, cut a 1-1/2" diameter hole to admit the power cord. If the cabinet wall is metal, the hole edge must be covered with a bushing or grommet.



INSTALLATION INSTRUCTIONS

CONNECTING ICE MAKER TO WATER SUPPLY

⚠ WARNING

To avoid electric shock, which can cause death or severe personal injury, disconnect the Ice Maker from an electrical power outlet before connecting a water supply line to the Ice Maker.

⚠ CAUTION

Copper tubing is recommended for the water supply line. Water supply tubing made of 1/4" plastic is not recommended since it greatly increases the potential for water leaks. Manufacturer will not be responsible for any damage if plastic tubing is used for the supply line.

DO NOT install water supply tubing in areas where temperatures fall below freezing.

Connect the ice maker to a drinkable water source that is not tied into a water softening system.

Chemicals from the softener may damage the ice maker, causing it to malfunction.

⚠ IMPORTANT

Ensure that your water supply line connections comply with all local plumbing codes.

Before Installing the Water Supply Line, You Will Need

1. Basic tools: adjustable wrench and standard, flat blade screwdriver.
2. Access to a household cold water line with water pressure between 20 and 120 psi.
3. A water supply line made of 1/4 inch (6.4mm)OD, copper tubing, To determine the length of copper tubing needed, you will need to measure the distance from the ice maker inlet valve at the back of the Ice Maker to your cold water pipe. Then add approximately 7 feet (2.1 meters), so the Ice Maker can be moved out for cleaning.
4. A shutoff valve to connect the water supply line to your household water system. (**DO NOT** use a self-piercing type shutoff valve.)
5. A compression nut and ferrule (sleeve) for connecting the water supply line to the ice maker inlet valve.

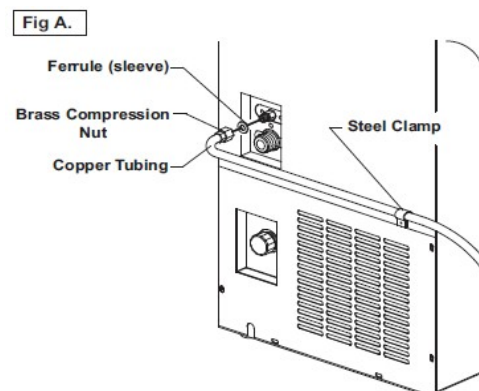
To Connect Water Supply Line to Ice Maker Inlet Valve

1. Disconnect Ice Maker from electric power supply.
2. Place end of water supply line into sink or bucket. Turn ON water supply and flush supply line until water is clear, turn OFF water supply at shut off valve. Unscrew plastic cap from water valve inlet and save.
3. Slide brass compression nut, then ferrule (sleeve), onto water supply line, as shown in Fig. A.
4. Push water supply line into water valve inlet as far as it will go (1/4 inch). Slide ferrule (sleeve) into valve inlet and finger tighten compression nut onto valve. Tighten another half turn with a wrench; **DO NOT** over-tighten.
5. With steel clamp and screw, secure water supply line to rear panel of Ice Maker at location shown in Fig. A.
6. Coil excess water supply line (about 2½ turns) behind Ice Maker as shown in Fig. A and arrange coils so they do not vibrate or wear against any other surface.
7. Turn ON water supply at shut off valve and tighten any connections that leak.
8. Reconnect Ice Maker to electric power supply.

NOTE:

It takes approximately 24 hours for the ice maker to begin producing ice. Air in new plumbing lines may cause ice maker to cycle two or three times before making a full tray of ice. New plumbing may cause ice to be discolored or have poor flavor. Discard ice made during the first 24hours. Although the unit has been tested and cleaned at the factory, due to long-term transit and storage, the first batch or two of cubes must be discarded.

- Never turn the water supply tap off when the ice maker is working.
- Never touch evaporator when unit is running!
- Except to take ice from the unit, keep the door closed to reduce melting and insure proper ice formation.



INSTALLATION INSTRUCTIONS

Connecting Ice Maker To Water Supply (cont'd):

Drain-pipe Connection (Drain hose not provided)

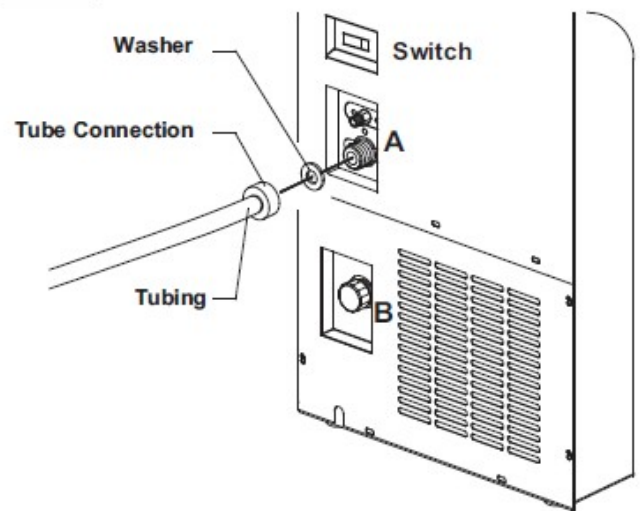
- If you choose direct drainage or force drainage mode, you need to purchase an external drain pipe available at your local hardware store. The connection instructions are below: Connect one side of the external drain pipe linked to the outlet pipe of the ice maker; put the other side into the drain hole. (See Fig B.)

A - Is a pump-assisted drain

B - Is a gravity-fed continuous drain

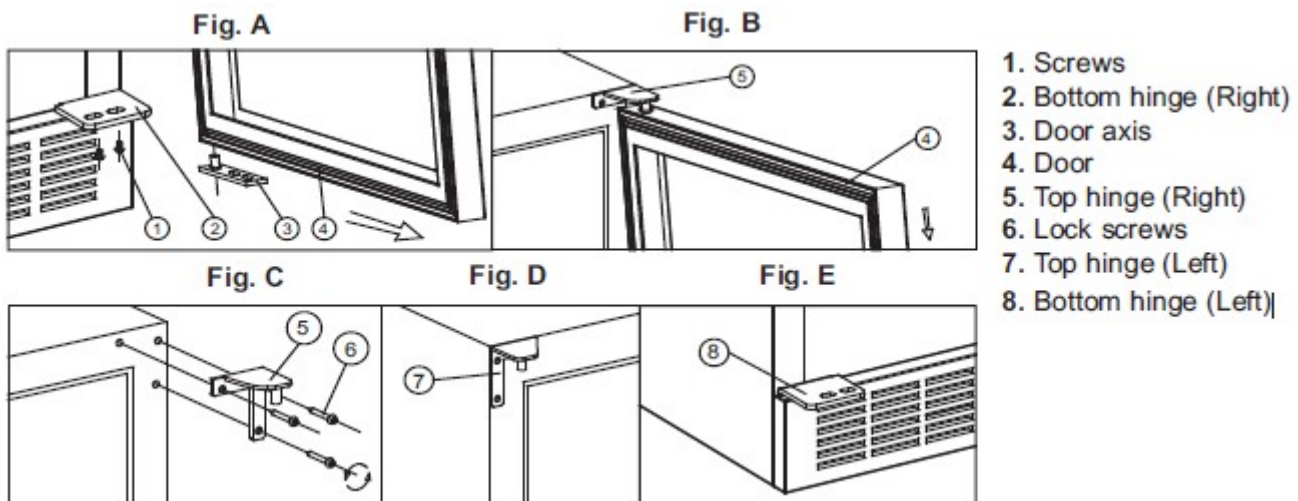
NOTE: When using pump-assisted drain "A", the switch (on back) must be turned to the "ON" position.

Fig B.



DOOR REVERSAL INSTRUCTIONS

This appliance has the capability of the door opening from either the left or the right side. The unit is delivered to you with the door opening from the left side. Should you desire to reverse the opening direction, please follow these instructions.



1. Remove 2 screws (1), then pull door (4) in direction of arrow.
2. Remove 3 screws of right upper hinge (5), then remove right upper hinge. (See Fig. C.)
3. Use the screws which you removed from the right side hinges to fix the left upper and bottom hinges (8). (See Fig. D & Fig. E.)
4. Rotate the door 180°, then assemble the door on the opposite side in the same way it was removed.

INSTALLATION INSTRUCTIONS

ICE MAKER PERFORMANCE MODE INSTRUCTIONS

WARNING

Please disconnect unit from power. To avoid electric shock, make sure no water is near the ice maker or on floor board and follow the steps below.

Your ice maker has three different performance modes. You can choose the most suitable mode according to your requirements. Please see detailed instructions on following page.

Fig A.

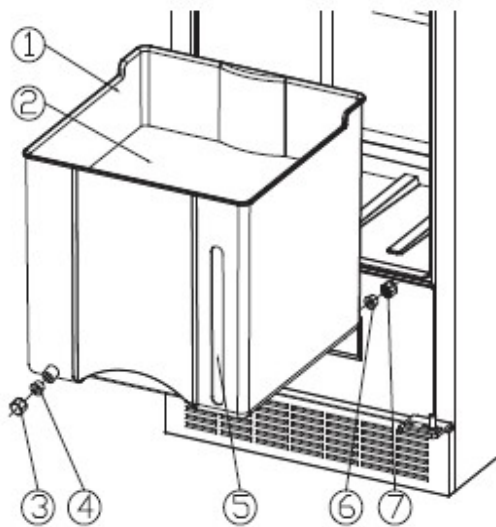


Fig B.

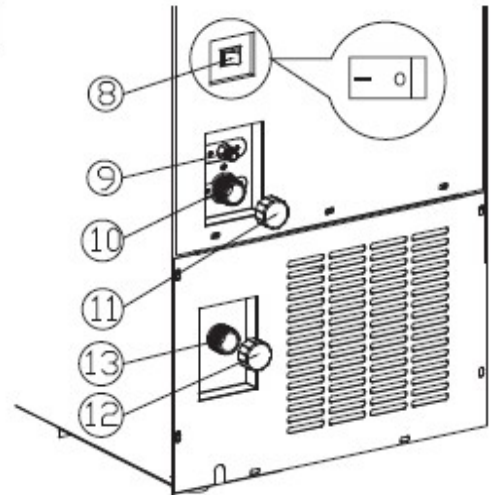
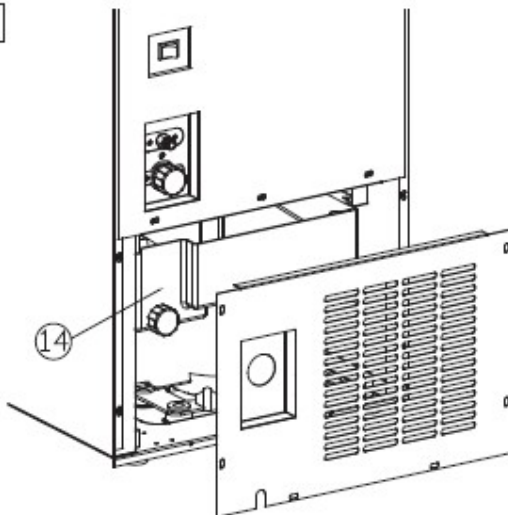


Fig C.



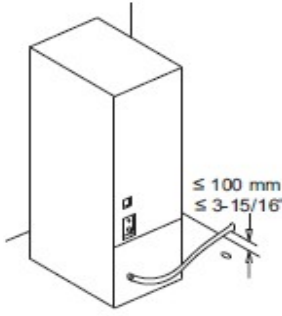
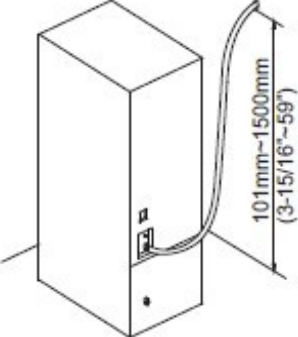

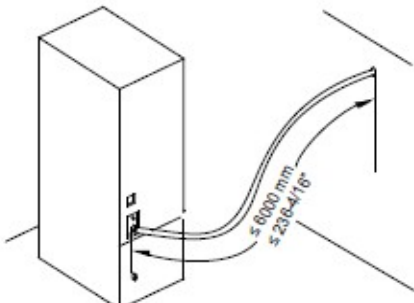
1. Ice bin
2. Bottom board of ice bin
3. Drain nut (front)
4. Drain seal (front)
5. Water level indicator
6. Drain seal (back)
7. Drain nut (back)
8. Drain pump switch
9. Water inlet pipe connector
10. Drain pump outlet (pump-assisted)
11. Drain cap
12. Drain cap
13. Direct water outlet pipe connection (continuous)
14. Water tank

INSTALLATION INSTRUCTIONS

Ice Maker Performance Mode Instructions (cont'd)

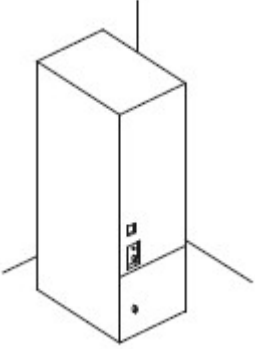
WARNING

Please read the following installation methods before using, and choose the correct drain mode for your situation. Set up your ice maker accordingly.

Performance Mode	Instructions	Suitable situation	Operation instruction									
Direct drainage mode (Recommended mode)	Excess water will be drained off by the outlet water pipe on the back of the unit	The height of drain hole in the room ≤ 100 mm (3-15/16") 	Ref.: Fig. A, Fig. B & Fig. C									
			<table border="1"> <thead> <tr> <th>Screw Nut and Switch</th> <th>Condition</th> </tr> </thead> <tbody> <tr> <td>screw nut(front) (3) + seal washer(front) (4)</td> <td>lock</td> </tr> <tr> <td>screw nut(back) (7) + seal washer(back) (6)</td> <td>open</td> </tr> <tr> <td>screw nut for valve seal (11)</td> <td>lock</td> </tr> <tr> <td>screw nut for valve seal (12)</td> <td>open</td> </tr> <tr> <td>force water outlet switch (8)</td> <td>OFF</td> </tr> </tbody> </table> <p>1. Please be sure the screw nut and switch are in the above condition;</p> <p>2. Use a certain length drain pipe, connect one side to the direct water outlet pipe connection (13), the other to the drain hole. Please be sure the connection is tight to avoid water leakage.</p>	Screw Nut and Switch	Condition	screw nut(front) (3) + seal washer(front) (4)	lock	screw nut(back) (7) + seal washer(back) (6)	open	screw nut for valve seal (11)	lock	screw nut for valve seal (12)
Screw Nut and Switch	Condition											
screw nut(front) (3) + seal washer(front) (4)	lock											
screw nut(back) (7) + seal washer(back) (6)	open											
screw nut for valve seal (11)	lock											
screw nut for valve seal (12)	open											
force water outlet switch (8)	OFF											
Drain pump mode (Recommended mode)	Excess water will be forced to drain out by the pump on back of the unit.	The height of drain hole in the room is between 101 mm~1500 mm (3-15/16"~59") 	Ref.: Fig. A, Fig. B & Fig. C									
			<table border="1"> <thead> <tr> <th>Screw Nut and Switch</th> <th>Condition</th> </tr> </thead> <tbody> <tr> <td>screw nut(front) (3) + seal washer(front)(4)</td> <td>lock</td> </tr> <tr> <td>screw nut(back) (7) + seal washer(back) (6)</td> <td>open</td> </tr> <tr> <td>screw nut for valve seal (11)</td> <td>open</td> </tr> <tr> <td>screw nut for valve seal (12)</td> <td>lock</td> </tr> <tr> <td>force water outlet switch (8)</td> <td>ON</td> </tr> </tbody> </table> <p>1. Please be sure the screw nut and switch are in the above condition;</p> <p>2. Use a certain length drain pipe, connect one side to the force water outlet pipe connector (10), the other to the drain hole. Please be sure the connection is tight to avoid water leakage.</p>	Screw Nut and Switch	Condition	screw nut(front) (3) + seal washer(front)(4)	lock	screw nut(back) (7) + seal washer(back) (6)	open	screw nut for valve seal (11)	open	screw nut for valve seal (12)
Screw Nut and Switch	Condition											
screw nut(front) (3) + seal washer(front)(4)	lock											
screw nut(back) (7) + seal washer(back) (6)	open											
screw nut for valve seal (11)	open											
screw nut for valve seal (12)	lock											
force water outlet switch (8)	ON											
			<p> WARNING</p> <p>The lengthen of drainpipe is no more than 6000 mm (236-4/16") in order to prevent slops return.</p> 									

INSTALLATION INSTRUCTIONS

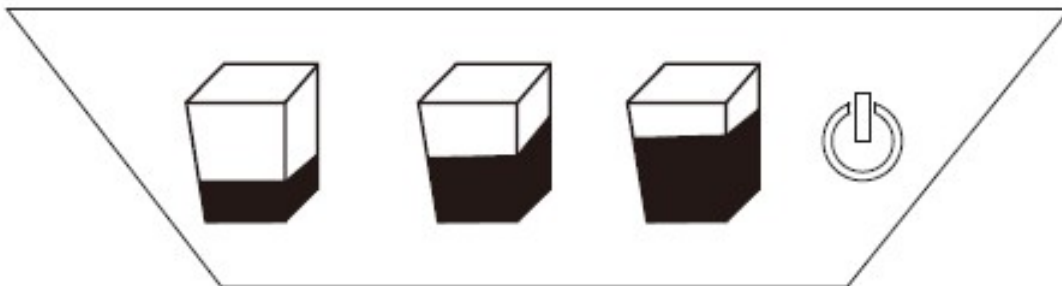
Ice Maker Performance Mode Instructions (cont'd)

Performance Mode	Instructions	Suitable situation	Operation instruction												
Manual drainage system mode (If you're operating using the "Manual drainage system mode", ice water will restrict drain water from flowing out.)	Manually drain the water from the ice bin.	There is no drain hole in the room. 	Ref.: Fig. A, Fig. B & Fig. C												
			<table border="1"> <thead> <tr> <th>Screw Nut and Switch</th> <th>Condition</th> </tr> </thead> <tbody> <tr> <td>screw nut (front) (3) + seal washer (front) (4)</td> <td>lock</td> </tr> <tr> <td>screw nut (back) (7) + seal washer(back) (6)</td> <td>lock</td> </tr> <tr> <td>screw nut for valve seal (11)</td> <td>lock</td> </tr> <tr> <td>screw nut for valve seal (12)</td> <td>lock</td> </tr> <tr> <td>force water outlet switch (8)</td> <td>OFF</td> </tr> </tbody> </table>	Screw Nut and Switch	Condition	screw nut (front) (3) + seal washer (front) (4)	lock	screw nut (back) (7) + seal washer(back) (6)	lock	screw nut for valve seal (11)	lock	screw nut for valve seal (12)	lock	force water outlet switch (8)	OFF
			Screw Nut and Switch	Condition											
			screw nut (front) (3) + seal washer (front) (4)	lock											
			screw nut (back) (7) + seal washer(back) (6)	lock											
			screw nut for valve seal (11)	lock											
			screw nut for valve seal (12)	lock											
force water outlet switch (8)	OFF														
1. Please be sure the screw nut and switch are in the above condition to avoid water leakage.															
2. Periodically check the ice bin (1), and water level indicator (5). If the water level exceeds the indicator water level, please drain off the excess water.															
3. When draining off the water, you can remove the ice bin (1), screw nut (front) (3) and seal washer (front) (4). Remove the excess water, then tighten the above screw and seal washer.															

OPERATING INSTRUCTIONS










CONTROLS OF THE ICE MAKER

The Ice Maker should be placed where the ambient temperature is between 10-32°C (50-90°F). If the ambient temperature is above or below this range, the performance of the unit may be affected.




OPERATING INSTRUCTIONS

CONTROLS OF THE ICE MAKER

Control	Type	Condition	Function Explanation	CHECKING THE WATER SUPPLY
	Button	Press	To turn the Ice Maker on/off, press and hold this button for approximately 3 seconds.	<ol style="list-style-type: none"> 1. Turn off water supply. 2. Disconnect line from the ice maker. 3. Position water supply line in a bucket. 4. Turn on water and make sure water falls into bucket. 5. Before reconnecting the water supply line to the ice maker, make sure the water is turned off, then reconnect the water supply line to the ice maker. <p>If unsure, please contact your local plumber.</p> <p>① “Water tank is full.” a. Unscrew the drain cap (12) located on the back of the unit and let out the water. (Refer to Page 5, Fig. B.)</p>
	Button	Press	Small amount of ice	
	Button	Press	Medium amount of ice	
	Button	Press	Large amount of ice	
	Indicator Light	ON	Small amount of ice is selected.	
		FLASHING	Water tank is full. ①	
	Indicator Light	ON	Medium amount of ice is selected.	
		FLASHING	Ice bin is full of ice. ④	
	Indicator Light	ON	Compressor is working.	
		OFF	Compressor stopped working.	
		FLASHING	Stand by condition.	
	Indicator Light	Flashing at the same time.	Ice maker low on water. ②	
	Indicator Light	Flashing at the same time.	Sensor breakdown ③	

- b. After draining out all the water from the outside water tank, reconnect unit to power and it will continue to run normally.
- c. If “Drain pump mode” is chosen, please confirm the “Pumped water outlet switch” is in the “ON” position. If it is in the correct position but you still get a WARNING ALARM after you power off the unit, please contact a service center.
- d. If “Manual drainage system mode” is chosen, the outside water tank will be full of water within one or two weeks depending on differences in ambient temperatures, please drain the water.

② “Ice maker low on water”

- a. Check if outside water supply is functioning normally. Please see “Checking the water supply” box above.
- b. The icemaker will remove faults automatically within 30 minutes and work normally when outside water pipe is functioning.
- c. Press “” button and turn on the unit again if icemaker does not function normally after 30 minutes;
- d. If the icemaker still shows a WARNING ALARM after the above process is repeated, contact the service center.

③ “Sensor breakdown” Please contact our authorized service center.

④ “Bucket full” alarm:

- a. Check if the ice bucket is full. If so, remove the ice, and the alarm will stop.
- b. If the ice bucket is not full when the alarm sounds, check to see if the ice maker cover plate is stuck. Clear any obstruction and replace the cover. The alarm should stop.
- c. When there is an insufficient water supply, the ice maker cover plate may stick and the “bucket full” alarm will sound. Remove any ice from around the cover plate and check that the water supply is sufficient. The alarm should stop.


OPERATING INSTRUCTIONS





CONTROLLING THE SIZE OF ICE CUBES

1. Please insure the water supply is properly connected. The default setting of the ice maker is set to make medium ice. If you need to revise the ice size, you can

press buttons   . The relevant Indicator light

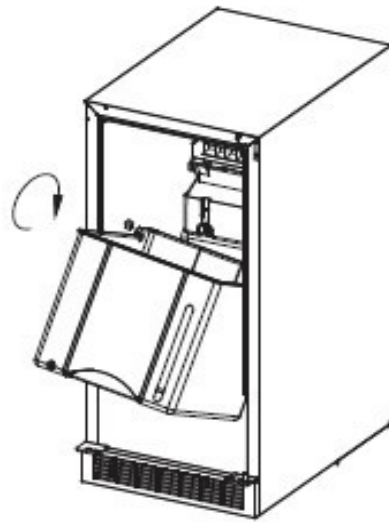
   will display.

2. If you want to stop making ice, please press  button for about 3 seconds; all the indicator lights

   will go off and the indicator  light will stay on flashing. If you want to return to making ice, just press the button one more time.

ICE BIN

Your ice bin is designed to be easily removed, if you want to take it out, lift up the front part of the bin, then simply pull it out. (See picture below.)



CARE AND MAINTENANCE

CLEANING YOUR ICE MAKER

- Turn off the power, unplug the appliance, and remove all items, including shelves and rack.
- Wash the inside surfaces with a warm water and baking soda solution. The solution should be about 2 tablespoons of baking soda to a quart of water.
- Wash the ice bin with a mild detergent solution. Wring excess water out of the sponge or cloth when cleaning area of the controls, or any electrical parts.
- Wash the outside cabinet with warm water and mild liquid detergent. Rinse well and wipe dry with a clean, soft cloth.

POWER FAILURE

- Most power failures are corrected within a few hours and should not affect the temperature of your appliance if you minimize the number of times the door is opened. If the power is going to be off for a longer period of time, you need to take the proper steps to protect your contents.

MOVING YOUR ICE MAKER

- Remove all items.
- Securely tape down all loose items (such as the bucket) inside your appliance.
- Turn the adjustable leg up to the base to avoid damage.
- Tape the door shut.
- Be sure the appliance stays secure in the upright position during transportation. Also protect the outside of the appliance with a blanket or similar item.
- The Ice Maker should be located in the coolest area of the room, away from heat producing appliances, and out of direct sunlight.

VACATION TIME

- **Short vacations:** Leave the Ice Maker operating during vacations of less than three weeks.
- **Long vacations:** If the appliance will not be used for several months, remove all items and turn off the appliance. Clean and dry the interior thoroughly. To prevent odor and mold growth, leave the door open slightly, blocking it open if necessary.

CARE AND MAINTENANCE

CLEANING THE INNER WATER CONTAINER

WARNING

Please disconnect unit from power. To avoid electric shock, make sure no water is near the ice maker or on floor board and follow the steps below.

1. Ice maker machine cover board
2. Ice maker machine cover plate
3. Water container
4. Drain tube

Fig A.

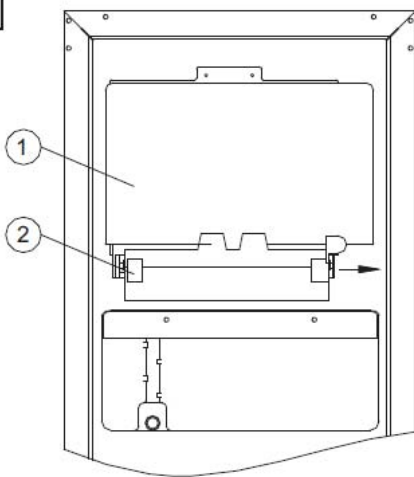
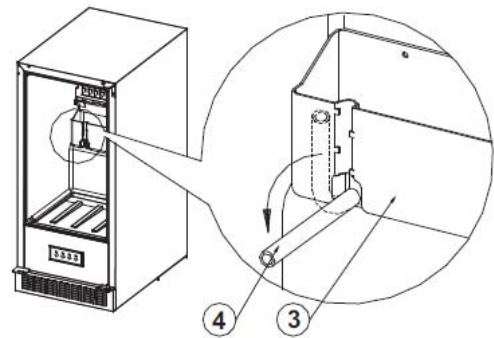


Fig B.



1. Take out the cover board (1) of the ice maker machine (Fig. A).
2. Use the brush to clean all the parts, then use clean water to flush them.
3. After cleaning, install parts in reverse order.
4. To drain water from the water container (3), dislodge drain tube.(4) (Fig. B).

TROUBLESHOOTING

Occasionally, a problem is minor and a service call may not be necessary. Use this troubleshooting guide for a possible solution. If the unit continues to operate improperly, call an authorized servicer:

PROBLEM	POSSIBLE CAUSE
The Ice Maker does not operate.	<ul style="list-style-type: none"> • Not plugged in. • The appliance is turned off. • No power to unit.
The ice cubes are not big enough or melt too quickly.	<ul style="list-style-type: none"> • The ambient temperature is too high. • The door is opened too often. • The door is ajar. • The door gasket does not seal properly. • Incorrect mode was set. • Dirty condenser.
Ice Maker Alarm	<ul style="list-style-type: none"> • External water tank is full. • Not enough water.
Vibrations	<ul style="list-style-type: none"> • Check to be sure the Ice Maker is level.
Noise	<ul style="list-style-type: none"> • A rattling noise may come from the flow of the refrigerant. This is normal. • As each cycle ends, you may hear gurgling sounds caused by the flow of refrigerant in your Ice Maker. • Contraction and expansion of the inside walls may cause popping and crackling noises. • The ice dispensing during each cycle may cause a little noise. • The flow of water causes noise during normal ice maker operation. • The Ice Maker is not level.
Water leakage from ice maker	<ul style="list-style-type: none"> • The water inlet pipe in the back is loose. • The water outlet pipe in the back is loose.

NOTES

LIMITED WARRANTY

ONE-YEAR LIMITED WARRANTY

Within the 48 contiguous United States, for one year from the date of purchase, when this appliance is operated and maintained according to instructions attached to or furnished with the product, warrantor will pay for factory-specified parts and repair labor to correct defects in materials or workmanship. Service must be provided by a designated service company. Outside the 48 states, all parts are warranted for one year from manufacturing defects. Plastic parts, shelves and cabinets are warranted to be manufactured to commercially acceptable standards, and are not covered from damage during handling or breakage.

5-YEARS COMPRESSOR WARRANTY

1. The compressor is covered for 5 years.
2. Replacement does not include labor.

ITEMS WARRANTOR WILL NOT PAY FOR:

1. Service calls to correct the installation of your appliance, to instruct you how to use your appliance, to replace or repair fuses or to correct wiring or plumbing.
2. Service calls to repair or replace appliance light bulbs or broken shelves. Consumable parts (such as filters) are excluded from warranty coverage.
3. Damage resulting from accident, alteration, misuse, abuse, fire, flood, acts of God, improper installation, installation not in accordance with electrical or plumbing codes, or use of products not approved by warrantor.
4. Replacement parts or repair labor costs for units operated outside the United States.
5. Repairs to parts or systems resulting from unauthorized modifications made to the appliance.
6. Expenses for travel and transportation for product service in remote locations.
7. The removal and reinstallation of your appliance if it is installed in an inaccessible location or is not installed in accordance with published installation instructions.

DISCLAIMER OF IMPLIED WARRANTIES – LIMITATION OF REMEDIES

CUSTOMER'S SOLE AND EXCLUSIVE REMEDY UNDER THIS LIMITED WARRANTY SHALL BE PRODUCT REPAIR AS PROVIDED HEREIN. IMPLIED WARRANTIES, INCLUDING WARRANTIES OF MERCHANTABILITY OR FITNESS FOR A PARTICULAR PURPOSE, ARE LIMITED TO ONE YEAR. WARRANTOR SHALL NOT BE LIABLE FOR INCIDENTAL OR CONSEQUENTIAL DAMAGES. SOME STATES DO NOT ALLOW THE EXCLUSION OR LIMITATION OF INCIDENTAL OR CONSEQUENTIAL DAMAGES, OR LIMITATIONS ON THE DURATION OF IMPLIED WARRANTIES OF MERCHANTABILITY OR FITNESS, SO THESE EXCLUSIONS OR LIMITATIONS MAY NOT APPLY TO YOU. THIS WARRANTY GIVES YOU SPECIFIC LEGAL RIGHTS AND YOU MAY ALSO HAVE OTHER RIGHTS, WHICH VARY FROM STATE TO STATE.

WARNING! This product may contain chemicals known to the state of California to cause cancer or birth defects or other reproductive harm. For more information, visit: www.summitappliance.com/prop65. Chemicals known by the manufacturer to be present in this product in concentrations higher than threshold limits: **NONE**.

FELIX STORCH, INC.
770 Garrison Avenue
Bronx, NY 10474
Phone: (718) 893-3900
Fax: (718) 842-3093
www.summitappliance.com

The logo for Summit Appliance, featuring the word "SUMMIT" in a bold, black, sans-serif font. The letters are slightly shadowed, giving it a three-dimensional appearance.

For parts and accessory ordering,
troubleshooting and helpful hints, visit:
www.summitappliance.com/support

TABLES DES MATIÈRES

Information importante de sécurité	17
Instructions d'installation	18 – 23
Avant d'utiliser votre machine à glaçons	18
Installation de votre machine à glaçons.....	18
Spécifications d'installation (encastré).....	18
Raccord de la machine à glaçons à l'alimentation en eau	19 – 20
Instructions pour l'inversion de la porte	20
Instructions sur les fonctions de performance de la machine à glaçons	21 – 23
Instructions d'utilisation	23 – 25
Commandes de la machine à glaçons.....	23 – 24
Réglage de la taille des glaçons	25
Contenant à glaçons.....	25
Nettoyage et entretien	26 – 27
Nettoyage de votre machine à glaçons	26
Coupure de courant.....	26
Déplacement de votre machine à glaçons.....	26
Périodes d'inutilisation.....	26
Nettoyage du contenant d'eau intérieur.....	27
Dépannage	28
Garantie limitée	29

REMARQUES SUR L'INSTALLATION DE LA MACHINE À GLAÇONS CLIM15

Si vous installez la machine à glaçons sous un comptoir ou dans un espace restreint, veuillez respecter les espaces libres suivants : Gardez un espace libre d'environ 2 po (50 mm) à l'arrière, de 1/16 po (2 mm) au-dessus, et de 1 po (25 mm) sur les côtés de la machine pour favoriser la circulation de l'air. La grille de ventilation au bas de la machine ne doit jamais être obstruée. L'installation doit permettre de tirer la machine à glaçons vers l'avant afin d'accéder à ses composantes en cas de réparation.

Si vous n'encastrez pas ou n'installez pas la machine à glaçons dans un endroit restreint, gardez au moins 4 po d'espace libre sur les côtés, au-dessus et à l'arrière.

Veuillez consulter les pages 18-20 pour obtenir de plus amples renseignements à propos de l'installation.

CONSIGNES DE SÉCURITÉ IMPORTANTES

**LISEZ TOUTES LES INFORMATIONS DE SÉCURITÉ AVANT DE FAIRE FONCTIONNER L'APPAREIL.
AVERTISSEMENT: RISQUE DES ENFANTS DEVIENNENT COINCERADANS L'APPAREIL.**

Un vidé unité est une attraction dangereuse aux enfants. Enlever les joints étanches, les loquets, les couvercles ou les porte des appareils qui ne sont pas utiliser, ou faites de soit que l'appareil ne présente aucun danger.

DIRECTIVES DE RANGEMENT

Cet appareil est conçu pour un usage domestique à l'intérieur seulement. N'entreposez ni n'utilisez pas cet appareil à l'extérieur.

- Cet appareil doit être mis à la terre. Branchez le seulement dans une prise correctement mise à la terre. Référez-vous au chapitre "Instructions de mise à la terre" ci-dessus.
- Ne faites pas fonctionner cet appareil s'il a un cordon ou fiche électrique endommagé, s'il ne fonctionne pas correctement, ou si l'appareil a été endommagé ou échappé.
- N'épissez pas le cordon électrique.
- Ne permettez jamais à un enfant de faire fonctionner l'appareil, de jouer avec ou de ramper à l'intérieur.
- Ne nettoyez jamais des pièces de l'appareil avec un liquide inflammable. Les vapeurs peuvent constituer un risque d'incendie ou provoquer une explosion.
- N'entreposez et n'utilisez pas d'essence ou d'autres liquides ou vapeurs inflammables à proximité de cet appareil ou de tout autre appareil. Les vapeurs peuvent constituer un risque d'incendie ou provoquer une explosion. Gardez le cordon électrique éloigné des sources de chaleur.
- N'immersez pas le cordon ou sa fiche dans aucun liquide.
- N'utilisez pas cet appareil près de bassins d'eau, par exemple dans un sous-sol détrempe, près d'une piscine ou d'un évier.
- N'utilisez pas de produits chimiques ou vapeurs corrosives dans/près de cet appareil.
- N'utilisez cet appareil que pour les fins aux quelles il est conçu comme indiqué dans ce guide.
- Ne placez pas les articles périssables de nourriture dans votre appareil (pour exemple, les viandes et les produits laitiers)
- Référez-vous aux instructions de nettoyage du fini de la porte se trouvant au chapitre de Soins et nettoyage de ce guide.
- Ne recouvrez pas ou n'obstruez aucune ouverture de l'appareil.
- Cet appareil ne devrait être réparé que par du personnel qualifié. Pour tout examen, réparation ou réglage, contactez votre centre de service le plus rapproché.

MISE À LA TERRE

AVERTISSEMENT

Une mauvaise utilisation de la prise de mise à la terre peut causer une décharge électrique.

- Cet appareil doit être mis à la terre. Dans l'éventualité d'un court-circuit, la mise à la terre procure un chemin direct de contournement du courant pour prévenir l'électrocution des manipulateurs de l'appareil.
- Cet appareil est muni d'un cordon comprenant une fiche et fil de mise à la terre.
- La fiche doit être branchée dans une prise correctement installée et mise à la terre.
- Si les directives de mise à la terre ne sont pas tout à fait comprises ou en cas de tout doute relatif à la mise à la terre appropriée de l'appareil, faites appel à un électricien ou à un technicien qualifié.
- Si la prise murale est une prise à 2 branches, c'est votre obligation, et la responsabilité vous en incombe, de la faire remplacer par une prise à trois branches adéquatement mise à la terre.
- Pour un meilleur rendement et pour éviter que les ampoules d'éclairage de la résidence soient affectées d'un affaissement de tension, ou que le fusible ou disjoncteur du circuit ne grille ou ne se déclenche, dédiez un circuit individuel d'alimentation à la machine à glaçons (prise (double) unique sur le circuit).
- Sous aucun prétexte il est permis de couper ou d'enlever la troisième branche (mise à la terre) de la fiche du cordon électrique.
- N'utilisez pas d'adaptateur de fiche avec cet appareil.
- N'utilisez pas de cordon de rallonge avec cet appareil. Si le cordon électrique de l'appareil ne rejoint pas la prise murale, faites installer une prise plus rapprochée par un électricien ou un technicien qualifié.

DANGER! Un enfant pourrait rester coincé dans la machine à glaçons. Avant de jeter votre

Vieil appareil :

- Démontez la porte.
- Laissez les tablettes en place pour éviter qu'un enfant puisse entrer facilement dans la machine.

SAUVEGARDE CES INSTRUCTIONS

CONSIGNES D'INSTALLATION

AVANT D'UTILISER VOTRE MACHINE À GLAÇONS

- Enlevez l'emballage extérieur et intérieur.
- Avant de brancher la machine à glaçons sur la source d'alimentation, laissez-la reposer à la verticale pendant environ 2 heures. Cela réduira le risque que le système de refroidissement subisse une défaillance causée par la manutention lors du transport.
- Nettoyez la surface intérieure à l'eau tiède, au moyen d'un chiffon doux.
- Installez la conduite d'arrivée et de sortie d'eau, desserrez l'écrou et choisissez un mode sur le sélecteur. (voir les directives sur les modes de performance de la machine à glaçons)
- **Avant l'utilisation:** Remplissez le contenant de glaçons à deux reprises et jetez ces glaçons pour garantir que les prochains glaçons seront propres et sanitaires.

ATTENTION

- N'ouvrez la porte qu'en cas de besoin.
- Si la machine à glaçons ne sera pas utilisée pendant une longue période, nous suggérons de la nettoyer délicatement et de laisser la porte entrouverte pour faire circuler l'air à l'intérieur de la machine. Ainsi, vous minimisez la formation de condensation, de moisissure et d'odeurs

INSTALLATION DE VOTRE MACHINE À GLAÇONS

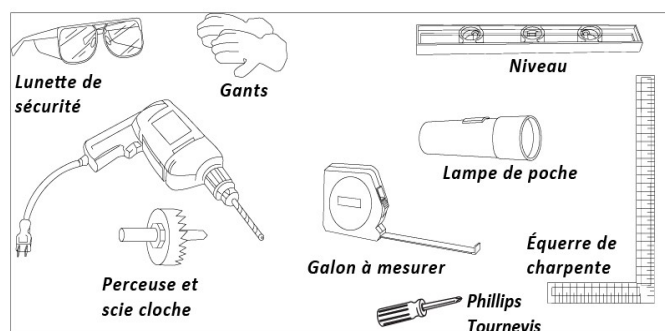
- Placez votre machine à glaçons sur un sol suffisamment solide pour la supporter une fois pleine. Pour mettre votre machine à glaçons au niveau, ajustez la patte de nivellement avant, située au bas de l'appareil.
- Installez la machine à glaçons à l'abri des rayons directs du soleil et de toute source de chaleur (four, appareil de chauffage, radiateur, etc.). Les rayons directs du soleil peuvent endommager le revêtement extérieur de l'appareil; quant aux sources de chaleur, elles peuvent entraîner une augmentation de sa consommation électrique. Les températures extrêmement basses peuvent provoquer un mauvais fonctionnement de l'appareil.
- Évitez d'installer l'appareil dans une zone humide.
- Branchez l'appareil dans une prise murale exclusive, bien installée et mise à la terre. Sous aucun prétexte, vous ne devez couper ou enlever la troisième broche (mise à la terre) de la fiche du cordon électrique. Pour toute question relative à l'alimentation ou à la mise à la terre, faites appel à un électricien qualifié ou à un centre de service autorisé.

DIRECTIVES D'INSTALLATION POUR L'ENCASTRAGE

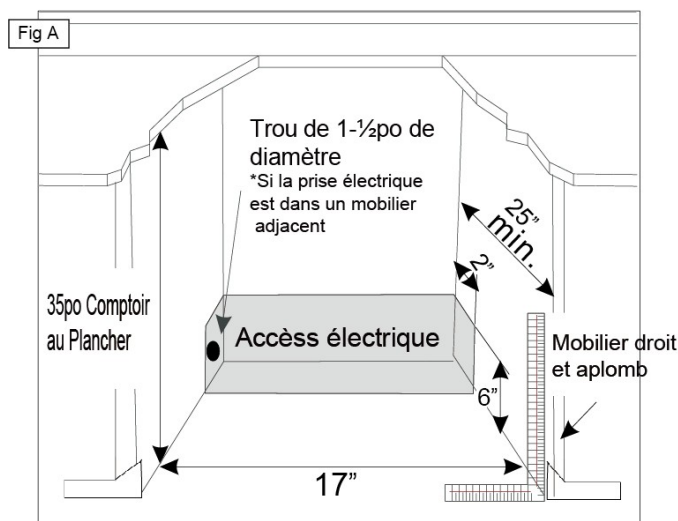
OUTILS NÉCESSAIRES

POUR VOTRE SÉCURITÉ :

Les personnes qui réalisent le travail d'installation décrit dans cette section doivent porter des gants et des lunettes de protection.



- Nous recommandons que vous n'installiez pas l'appareil dans un coin (directement près d'un mur). Ceci permettrait aux portes d'avoir une oscillation plus grande que 90°. Une oscillation d'ouverture qui est limitée, empêchera les étagères de glisser dehors comme supposé, et peut endommager la garniture de porte.
- L'ouverture brute de l'armoire doit être sur une surface niveau avec le plancher et d'au moins 25 po de profondeur par 17 po largeur. L'ouverture devrait être à une hauteur maximale de 35 po.
- Si la prise murale et dans l'autre armoire, percez un trou de 1 po 1/2" de diamètre afin d'insérer le câble électrique. Si l'armoire est faite de métal, le bord du trou doit être couvert d'une bague ou d'un passe-câble.



CONSIGNES D'INSTALLATION

RACCORDEMENT DE LA MACHINE À GLAÇONS À L'ARRIVÉE D'EAU

⚠ AVERTISSEMENT

Afin de prévenir tout choc électrique pouvant entraîner un décès ou de graves blessures corporelles, débranchez la machine à glaçons de la source d'alimentation électrique avant d'y raccorder une conduite d'arrivée d'eau.

⚠ MISE EN GARDE

Il est recommandé d'utiliser un tuyau en cuivre pour la conduite d'arrivée d'eau. Il n'est pas recommandé d'utiliser un tuyau en plastique de 0,25 po pour l'arrivée d'eau, parce que cela augmente beaucoup le risque de fuite d'eau. Le fabricant ne pourra être tenu responsable des dommages subis si un tuyau en plastique est utilisé pour la conduite d'arrivée d'eau.

N'INSTALLEZ PAS de tuyau d'arrivée d'eau dans un endroit où il pourrait geler.

- **Raccordez la machine à glaçons à une source d'eau potable** qui n'est pas liée à un système d'adoucissement. Les produits chimiques de l'adoucisseur peuvent endommager la machine à glaçons et causer son mauvais fonctionnement.

⚠ IMPORTANT

Vérifiez que tous vos raccords de conduites d'eau sont conformes aux codes de plomberie locaux.

Avant d'installer la conduite d'arrivée d'eau, vous aurez besoin des éléments suivants :

1. Outils de base : clé ajustable et tournevis standard à bout plat.
2. Accès à une conduite d'eau froide ménagère dont la pression est comprise entre 20 et 120 lb/poz.
3. Conduite d'arrivée d'eau faite d'un tuyau de cuivre dont le diamètre extérieur est de 6,4 mm (1/4 po). Pour déterminer la longueur de tuyauterie requise, vous devrez mesurer la distance entre le robinet d'entrée d'eau situé à l'arrière de la machine à glaçons et le tuyau d'eau froide. Ajoutez ensuite une longueur d'environ 2,1 m (7 pi) afin de faciliter le déplacement de la machine lors du nettoyage.
4. Robinet d'arrêt pour raccorder la conduite d'arrivée d'eau à votre système d'eau ménager. (**N'UTILISEZ PAS** de robinet d'arrêt à perforation autonome.)
5. Un écrou à compression et une bague (manchon) pour raccorder la conduite d'arrivée d'eau au robinet d'entrée de la machine à glaçons.

Pour raccorder la conduite d'arrivée d'eau au Robinet d'entrée de la machine à glaçons

1. Débranchez la machine à glaçons de la source d'alimentation électrique.
2. Placez l'extrémité de la conduite d'arrivée d'eau dans un évier ou un seau. OUVREZ le robinet d'entrée d'eau et purgez la conduite d'arrivée d'eau jusqu'à ce que l'eau en ressorte propre, puis FERMEZ la conduite au niveau du robinet d'arrêt. Dévissez le capuchon en plastique du robinet d'entrée d'eau et conservez-le. Glissez un écrou à compression en laiton, puis une bague (manchon) sur la conduite d'arrivée d'eau, comme sur le schéma A.
3. Poussez le plus loin possible (0,25 po) la conduite d'arrivée d'eau dans l'entrée d'eau. Faites glisser la bague (manchon) dans l'entrée d'eau, puis serrez à la main l'écrou à compression sur le robinet. Faites un demi-tour supplémentaire à l'aide d'une clé; **NE SERREZ PAS TROP FORT.**
5. À l'aide d'un serre-joint et d'une vis, fixez la conduite d'arrivée d'eau au panneau arrière de la machine à glaçons, à l'endroit indiqué sur le schéma A.
6. Enroulez la conduite d'arrivée d'eau excédentaire (environ 2 1/2 tours) derrière la machine comme dans le schéma A, et disposez les spirales de façon à éviter toute vibration ou usure contre une autre surface.
7. OUVREZ l'arrivée d'eau au niveau du robinet d'arrêt, puis resserrez les raccords qui fuient, le cas échéant.
8. Rebranchez la machine à glaçons sur la source d'alimentation électrique.

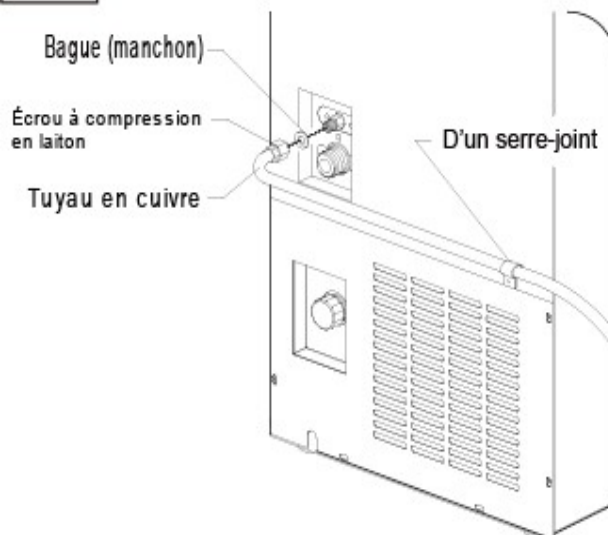
REMARQUE :

Il faut approximativement 24 heures pour que la machine à glaçons commence à produire des glaçons. La présence d'air dans une plomberie neuve peut faire en sorte que la machine à glaçons effectue deux ou trois cycles avant de produire un plateau de glace plein. Lorsque la plomberie est nouvelle, les glaçons peuvent être décolorés ou avoir mauvais goût. Jetez les glaçons produits pendant les 24 premières heures.

Bien que l'appareil ait été testé et nettoyé en usine, il convient de jeter la première série de cubes de glace produite en raison de la longue période écoulée pour l'entreposage et la livraison.

- Ne jamais fermer l'alimentation en eau lorsque la machine à glace fonctionne.
- Ne pas toucher à l'évaporateur lorsque l'appareil fonctionne!
- Garder la porte de l'appareil fermée pour éviter que la glace ne fonde et pour assurer une formation adéquate de la glace. N'ouvrez la porte que lorsque l'on récupère des glaçons dans l'appareil.

Fig A.



CONSIGNES D'INSTALLATION

Raccordement de la machine à glaçons à l'arrivée d'eau (suite)

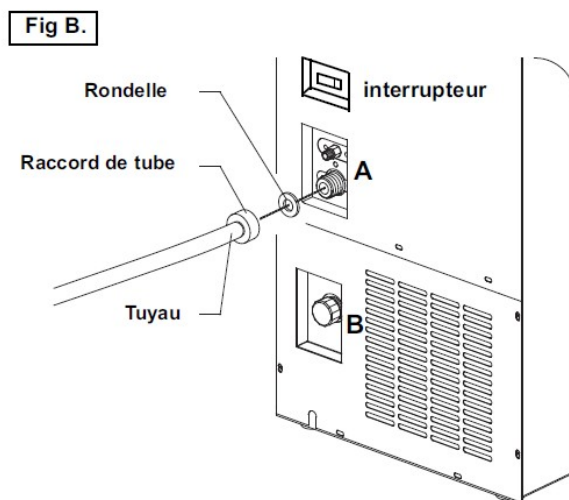
Raccordement du tuyau de drainage (tuyau de drainage n'est pas fourni)

- Si vous choisissez le mode de drainage direct ou le mode de drainage forcé, vous devrez vous procurer vous-même le tuyau de drainage externe, et suivre les directives ci-dessous : Raccordez une extrémité du raccord du tuyau de drainage externe au tuyau de sortie de la machine à glaçons et l'autre extrémité au drain (**voir schéma B**).

A - Il s'agit d'une pompe de vidange assistée

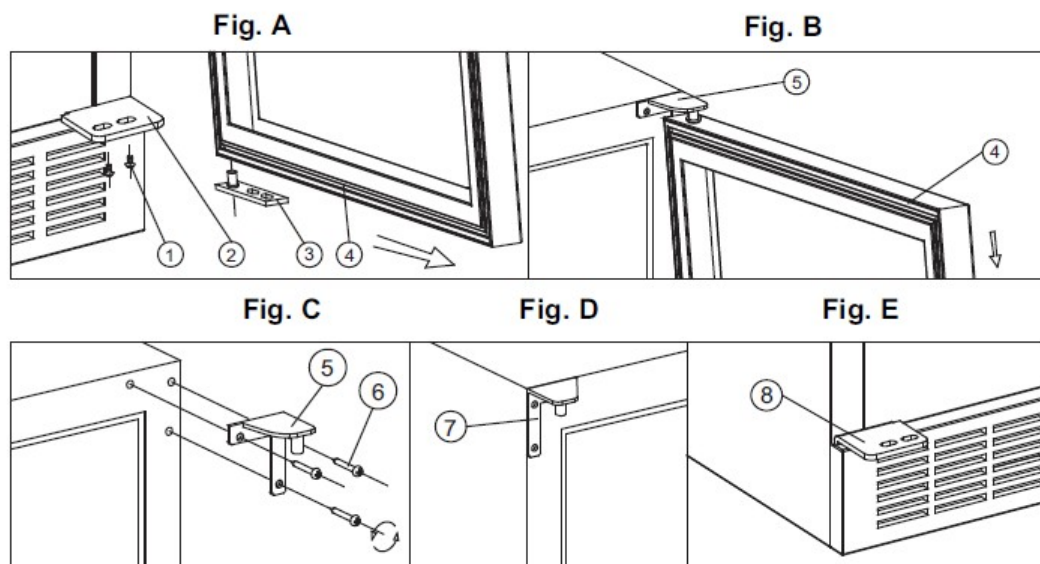
B - Il s'agit d'une alimentation par gravité de drainage continu

NOTE: Lorsque vous utilisez la pompe de vidange assistée "A", l'interrupteur (à l'arrière) doit être positionné sur "MARCHE".



DIRECTIVES POUR L'INVERSION DE LA PORTE

La porte de cet appareil peut être ouverte du côté gauche ou du côté droit. Au moment de la livraison, la porte de l'appareil est installée de manière à s'ouvrir du côté gauche. Si vous souhaitez inverser la direction d'ouverture de la porte, veuillez suivre les directives suivantes



1. Vis
2. Charnière inférieure (droite)
3. Axe de la porte
4. Porte
5. Charnière supérieure (droite)
6. Vis de verrouillage
7. Charnière supérieure (gauche)
8. Charnière inférieure (gauche)

1. Enlevez les 2 vis (1), puis tirez la porte (4) dans la direction de la flèche de l'illustration.
2. Enlevez les 3 vis de la charnière supérieure droite, puis la charnière supérieure droite (voir schéma C).
3. Utilisez les vis que vous venez d'enlever des charnières du côté droit afin d'installer la charnière supérieure gauche et la charnière inférieure (8) (voir schémas D et E).
4. Faites tourner la porte à 180 °, puis montez-la sur le côté opposé, de la même manière il a été enlevé.

CONSIGNES D'INSTALLATION

DIRECTIVES SUR LES MODES DE PERFORMANCE DE LA MACHINE À GLAÇONS

AVERTISSEMENT

Veillez débrancher l'appareil de sa source d'électricité.
Pour éviter les décharges électriques, assurez-vous qu'il n'y ait pas d'eau près de la machine à glaçons ou sur le plancher et suivez les étapes ci-dessous.

Votre machine à glaçons comporte trois modes de performance différents, que vous pouvez sélectionner en fonction de vos besoins. Veuillez vous reporter aux directives détaillées à la page suivante.

Fig A.

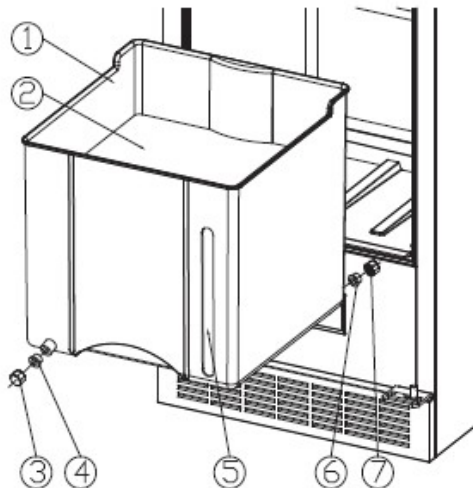


Fig B.

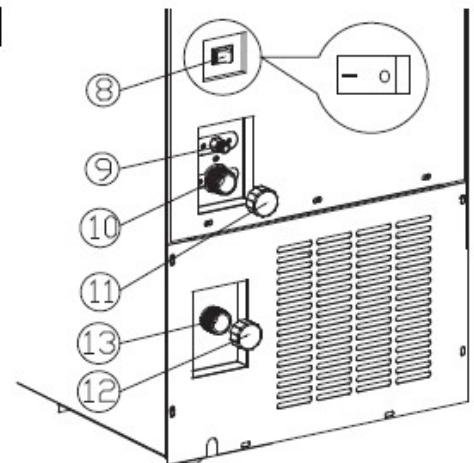
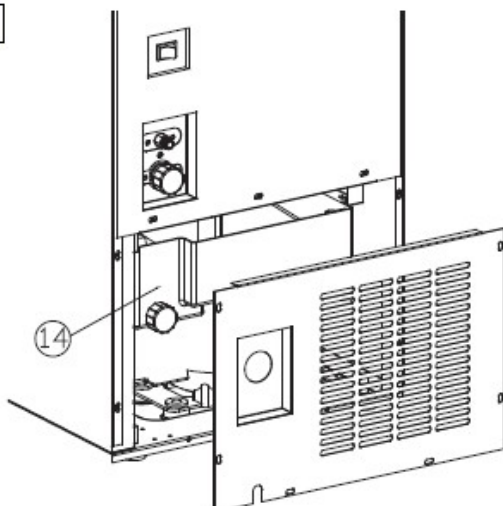


Fig C.



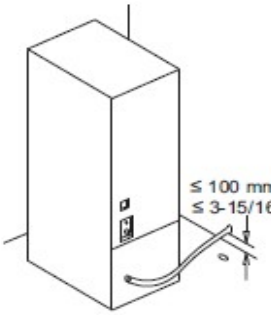
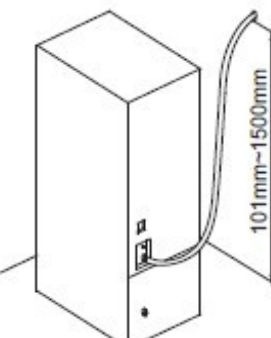

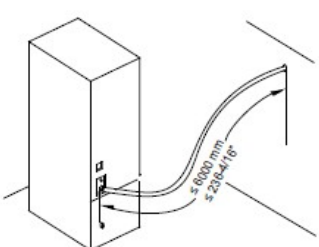
1. bac à glace
2. fond du bac à glace
3. écrou du drain (avant)
4. joint du drain (avant)
5. regard du niveau d'eau
6. joint du drain (arrière)
7. écrou du drain (arrière)
8. interrupteur de la pompe de drainage
9. connecteur du tuyau d'entrée d'eau
10. sortie de la pompe de drainage
11. bouchon de drainage
12. bouchon de drainage
13. connecteur du tuyau de sortie d'eau directe
14. réservoir de drainage interne

CONSIGNES D'INSTALLATION

DIRECTIVES SUR LES MODES DE PERFORMANCE DE LA MACHINE À GLAÇONS (suit)

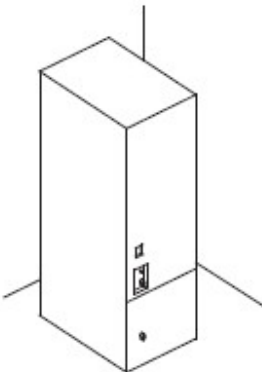
AVERTISSEMENT

Veillez lire les directives d'installation suivantes avant d'utiliser l'appareil. Choisir le bon mode d'évacuation de l'eau selon la situation et régler la machine à glace en conséquence.

Mode de performance	Directives	Situation	Directive d'utilisation												
Mode de drainage Direct (Mode recommandé)	L'excédent d'eau sera évacué par la conduite de sortie d'eau qui se trouve à l'arrière de l'appareil.	Le drain de la pièce est situé à une hauteur de ≤ 100 mm ($\leq 3-15/16$ ") 	Réf. : schémas A, B et C Écrou et interrupteur <table border="1"> <thead> <tr> <th></th> <th>Condition</th> </tr> </thead> <tbody> <tr> <td>Écrou(avant)(3) + rondelle de fermeture(avant) (4)</td> <td>Verrouillé</td> </tr> <tr> <td>Écrou(arrière)(7)+rondelle de fermeture(arrière) (6)</td> <td>Ouvert</td> </tr> <tr> <td>Écrou pour le joint d'étanchéité (11)</td> <td>Verrouillé</td> </tr> <tr> <td>Écrou pour le joint d'étanchéité (12)</td> <td>Ouvert</td> </tr> <tr> <td>Interrupteur de sortie d'eau forcée (8)</td> <td>Éteint</td> </tr> </tbody> </table>		Condition	Écrou(avant)(3) + rondelle de fermeture(avant) (4)	Verrouillé	Écrou(arrière)(7)+rondelle de fermeture(arrière) (6)	Ouvert	Écrou pour le joint d'étanchéité (11)	Verrouillé	Écrou pour le joint d'étanchéité (12)	Ouvert	Interrupteur de sortie d'eau forcée (8)	Éteint
				Condition											
			Écrou(avant)(3) + rondelle de fermeture(avant) (4)	Verrouillé											
			Écrou(arrière)(7)+rondelle de fermeture(arrière) (6)	Ouvert											
			Écrou pour le joint d'étanchéité (11)	Verrouillé											
			Écrou pour le joint d'étanchéité (12)	Ouvert											
			Interrupteur de sortie d'eau forcée (8)	Éteint											
1. Assurez-vous que l'écrou et l'interrupteur sont conformes à la description ci-dessus. 2. Utilisez un tuyau de drainage d'une longueur suffisante, en raccordant une extrémité au connecteur du tuyau de sortie d'eau directe (13) et l'autre extrémité au drain. Assurez-vous que le raccordement est bien serré, afin d'éviter toute fuite d'eau.															
Mode de pompage (Mode recommandé)	La pompe, quise trouve à l'arrière de l'appareil, forcera l'évacuation de l'eau excédentaire par la conduite de sortie d'eau	Le drain de la pièce est situé à une hauteur de 101 à 1 500 mm. ($3-15/16$ " à 59") 	Réf. : schémas A, B et C Écrou et interrupteur <table border="1"> <thead> <tr> <th></th> <th>Condition</th> </tr> </thead> <tbody> <tr> <td>Écrou (avant) (3) + rondelle de fermeture (avant) (4)</td> <td>Verrouillé</td> </tr> <tr> <td>Écrou (arrière) (7) + rondelle de fermeture (arrière) (6)</td> <td>Ouvert</td> </tr> <tr> <td>Écrou pour le joint d'étanchéité (11)</td> <td>Ouvert</td> </tr> <tr> <td>Écrou pour le joint d'étanchéité (12)</td> <td>Verrouillé</td> </tr> <tr> <td>Interrupteur de sortie d'eau forcée (8)</td> <td>Allamer</td> </tr> </tbody> </table>		Condition	Écrou (avant) (3) + rondelle de fermeture (avant) (4)	Verrouillé	Écrou (arrière) (7) + rondelle de fermeture (arrière) (6)	Ouvert	Écrou pour le joint d'étanchéité (11)	Ouvert	Écrou pour le joint d'étanchéité (12)	Verrouillé	Interrupteur de sortie d'eau forcée (8)	Allamer
				Condition											
			Écrou (avant) (3) + rondelle de fermeture (avant) (4)	Verrouillé											
			Écrou (arrière) (7) + rondelle de fermeture (arrière) (6)	Ouvert											
			Écrou pour le joint d'étanchéité (11)	Ouvert											
			Écrou pour le joint d'étanchéité (12)	Verrouillé											
			Interrupteur de sortie d'eau forcée (8)	Allamer											
1. Assurez-vous que l'écrou et l'interrupteur sont conformes à la description ci-dessus. 2. Utilisez un tuyau de drainage d'une longueur suffisante, en raccordant une extrémité au connecteur de sortie d'eau forcée (10) et l'autre extrémité au drain. Assurez-vous que le raccordement est bien serré, afin d'éviter toute fuite d'eau..															
<div style="background-color: black; color: white; padding: 5px;">  AVERTISSEMENT la longueur de la conduite d'évacuation de l'eau doit être au plus de 6000mm($236-4/16$") afin d'empêcher les retours d'eau. </div>															
															

CONSIGNES D'INSTALLATION

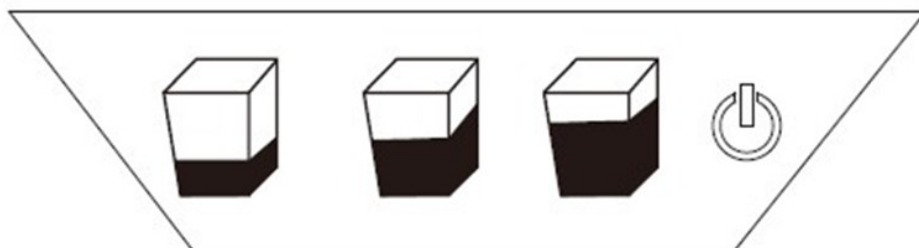
DIRECTIVES SUR LES MODES DE PERFORMANCE DE LA MACHINE À GLAÇONS (suit)

Mode de performance	Directives	Situation	Directive d'utilisation									
Mode de drainage Manuel (Si vous utilisez le « mode de drainage manuel », la glace empêchera l'évacuation de l'eau de drainage.)	Drainage manuel de l'eau du bac à glace.	Il n'y a aucun drain dans la pièce. 	Réf. : schémas A, B et C									
			<table border="1"> <thead> <tr> <th>Écrou et interrupteur</th> <th>Condition</th> </tr> </thead> <tbody> <tr> <td>Écrou (avant) (3) + rondelle de fermeture (avant) (4)</td> <td>Verrouillé</td> </tr> <tr> <td>Écrou (arrière) (7) + rondelle de fermeture (arrière) (6)</td> <td>Verrouillé</td> </tr> <tr> <td>Écrou pour le joint d'étanchéité (11)</td> <td>Verrouillé</td> </tr> <tr> <td>Écrou pour le joint d'étanchéité (12)</td> <td>Verrouillé</td> </tr> <tr> <td>Interrupteur de sortie d'eau forcée (8)</td> <td>Éteint</td> </tr> </tbody> </table>	Écrou et interrupteur	Condition	Écrou (avant) (3) + rondelle de fermeture (avant) (4)	Verrouillé	Écrou (arrière) (7) + rondelle de fermeture (arrière) (6)	Verrouillé	Écrou pour le joint d'étanchéité (11)	Verrouillé	Écrou pour le joint d'étanchéité (12)
Écrou et interrupteur	Condition											
Écrou (avant) (3) + rondelle de fermeture (avant) (4)	Verrouillé											
Écrou (arrière) (7) + rondelle de fermeture (arrière) (6)	Verrouillé											
Écrou pour le joint d'étanchéité (11)	Verrouillé											
Écrou pour le joint d'étanchéité (12)	Verrouillé											
Interrupteur de sortie d'eau forcée (8)	Éteint											
			1. Assurez-vous que l'écrou et l'interrupteur sont conformes à la description ci-dessus, afin d'éviter toute fuite d'eau. 2. Vérifiez régulièrement le bac à glace (1) et la règle indicatrice de niveau d'eau (5). Si le niveau d'eau dépasse le niveau de la règle, veuillez vider l'excès d'eau. 3. Lors du drainage de l'eau, vous pouvez enlever le bac à glace (1), l'écrou (avant) (2) et la rondelle de fermeture (avant) (4); utilisez le support pour éliminer l'excès d'eau, puis resserrez l'écrou et la rondelle de fermeture.									

OPÉRATION










COMMANDES DE LA MACHINE GLAÇONS

La machine à glaçons doit être installée dans un endroit où la température ambiante est comprise entre 10 et 32°C (50 à 90 °F). Si la température ambiante est supérieure ou inférieure à cette plage, les performances de l'appareil peuvent être affectées.



OPÉRATION

COMMANDES DE LA MACHINE À GLAÇONS


Control	Type	Condition	Explication de la fonction	VÉRIFICATION DE L' ALIMENTATION EN EAU
	Bouton	Appuyer	Pour allumer ou éteindre la machine à glaçons, appuyez sur ce bouton et maintenez-le enfoncé pendant environ 3 secondes.	1. Fermez l'alimentation en eau. 2. Détachez le tuyau de la machine à glaçons. 3. Placez le tuyau d'alimentation en eau dans Un seau. 4. Ouvrez l'alimentation en eau et assurez-vous que le seau se remplit d'eau. 5. Avant d'attacher à nouveau le tuyau d'alimentation en eau à la machine à glaçons, assurez-vous que l'alimentation en eau est fermée, puis attachez le tuyau d'alimentation en eau à la machine à glaçons. * Si vous avez un doute, communiquez avec votre plombier local. ① « Le réservoir d'eau est plein. » a>: Veuillez dévisser le bouchon de drainage (12) qui se trouve à l'arrière de l'appareil et laissez l'eau s'écouler. (consulter la fig. B de la page 5). b>: Une fois que toute l'eau en provenance du réservoir externe s'est écoulée, veuillez rebrancher l'appareil qui continuera à fonctionner normalement. c>: Si vous avez choisi le « Mode de pompage », veuillez vous assurer que l' « Interrupteur de la sortie d' eau de pompage » est en position de « MARCHE ». S' il est dans la bonne position mais qu' une ALARME D' AVERTISSEMENT se déclenche malgré tout, veuillez communiquer avec un centre de service.
	Bouton	Appuyer	Petite quantité de glace	
	Bouton	Appuyer	Quantité moyenne de glace	
	Bouton	Appuyer	Grande quantité de glace	
	Témoin lumineux	ALLUMÉ	Une petite quantité de glace a été sélectionnée.	
		CLIGNOTANT	Le bac à glace est plein. ①	
	Témoin lumineux	ALLUMÉ	Une quantité moyenne de glace a été sélectionnée.	
		CLIGNOTANT	Le bac à glace est plein. ④	
	Témoin lumineux	ALLUMÉ	Le compresseur est en marche.	
		ÉTEINT	Le compresseur ne fonctionne plus.	
		CLIGNOTANT	En attente	
	Témoin lumineux	Clignotement simultané	Faible niveau d'eau. ②	
	Témoin lumineux	Clignotement simultané	Capteur en panne ③	

d> Si vous avez choisi le « Mode de drainage manuel », le réservoir d'eau externe sera plein au bout d'une ou deux semaines, dépendamment des différentes températures ambiantes; veuillez alors drainer l'eau en temps opportun.

② « Faible niveau d'eau »

a. Veuillez vous assurer que le tuyau d'eau externe fonctionne normalement. Veuillez lire l'encadré « Vérification de l'alimentation en eau » ci-dessus.

b. La machine à glace remédiera automatiquement aux défaillances dans les 30 minutes qui suivent et fonctionnera normalement si le tuyau d'eau externe fonctionne correctement.

c. Veuillez appuyez sur la touche <<  » et rallumer l'appareil si la machine à glace ne fonctionne pas normalement après 30 minutes.

d. Si la machine à glace affiche encore une ALARME D'AVERTISSEMENT après que la procédure susmentionnée ait été répétée, veuillez communiquer avec le centre de service.

③ « Capteur en panne. » Veuillez communiquer avec notre centre d'entretien et de réparation autorisé.

④ L'alarme indiquant que le seau est plein :






a> Vérifiez si le seau à glace est plein. Si c'est le cas, enlevez la glace puis l'alarme s'arrêtera.

b> Si le seau à glace n'est pas plein lorsque l'alarme retentit, vérifiez que le couvercle de la machine à glace ne soit pas coincé. Dégagez toute obstruction et remplacez le couvercle puis l'alarme s'arrêtera.

c> Lorsque l'approvisionnement d'eau est insuffisant, le couvercle de la machine à glace peut coller, faisant ainsi sonner l'alarme indiquant que le seau est plein. Enlevez toute la glace autour du couvercle, vérifiez que l'approvisionnement en eau soit suffisant, et l'alarme s'arrêtera.

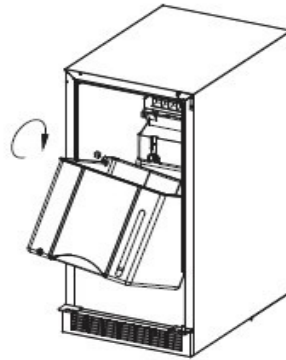
OPÉRATION

RÉGLAGE DE LA TAILLE DES GLAÇONS

1. Assurez-vous que le tuyau d'eau est bien raccordé à la machine à glaçons. Par défaut, la machine à glaçons est réglée pour la préparation d'une quantité moyenne de glace; toutefois, si vous désirez une quantité différente, vous pouvez appuyez sur les boutons  le témoin lumineux correspondant  s'allumera alors.
2. Si vous voulez arrêter de préparer des glaçons, appuyez sur le bouton  et maintenez-le enfoncé pendant environ 3 secondes; tous les témoins lumineux  s'allumeront et le témoin lumineux  clignotera de manière continue. Si vous voulez recommencer à préparer des glaçons, vous n'avez qu'à appuyer de nouveau sur le bouton.

BAC À GLACE

Votre bac à glace est conçu pour être facilement enlevé si vous le désirez. Soulevez l'avant du bac, puis retirez-le en le faisant glisser vers l'extérieur. (voir image ci-dessous)



SOINS ET ENTRETIEN

NETTOYAGE DE VOTRE MACHINE À GLAÇONS

- Mettre la machine à glaçons hors tension et le débrancher, puis retirez tout ce qu'il y a sur les tablettes et les supports.
- Lavez les surfaces internes avec une solution d'eau chaude et de bicarbonate de sodium. La solution doit contenir 2 cuillérées à table de bicarbonate de sodium dans un litre d'eau.
- Lavez les étagères avec une solution de détergent doux. • Essorez l'éponge ou le chiffon pour en retirer l'excès d'eau lorsque vous nettoyez la zone des commandes ou des pièces électriques.
- Lavez l'extérieur du machine à glaçons avec de l'eau chaude et un détergent liquide doux. Rincez bien et essuyez avec un chiffon doux propre et sec.

PANNE DE COURANT

- La plupart des pannes de courant ne durent que quelques heures et ne devraient pas modifier la température de votre machine à glaçons si vous réduisez au maximum le nombre de fois où la porte est ouverte. Si le courant reste coupé pendant une longue période, il faut prendre des mesures de protection du contenu de l'appareil.

DÉPLACEMENT DE VOTRE MACHINE À GLAÇONS

- Retirez tout ce qu'il contient.
- Immobilisez avec du ruban-cache tout ce qui est mobile (comme le contenant) dans l'appareil.
- Tournez la patte réglable pour la relever dans la base et éviter tout dommage.
- Maintenez la porte fermée avec du ruban-cache.
- Assurez-vous que le machine à glaçons reste bien en position verticale pendant son transport. Protégez aussi l'extérieur du machine à glaçons avec une couverture ou l'équivalent.
- Le machine à glaçons devrait être installé dans l'endroit le plus frais de la pièce, loin des sources de chauffage et des rayons directs du soleil.

PÉRIODE DE VACANCES

- **Courtes vacances** : Laissez le machine à glaçons fonctionner pendant les vacances durant moins de trois semaines.
- **Longues vacances** : Si le machine à glaçons ne doit pas être utilisé pendant plusieurs mois, retirez tout ce qu'il contient et mettez-le hors tension. Nettoyez et asséchez à fond l'intérieur. Pour éviter les odeurs et le développement de moisissures, laissez la porte entrouverte: la coincer au besoin.

SOINS ET ENTRETIEN

NETTOYAGE DU CONTENANT D'EAU INTÉRIEUR

AVERTISSEMENT

Veillez débrancher l'appareil de sa source d'électricité. Pour éviter les décharges électriques, assurez-vous qu'il n'y ait pas d'eau près de la machine à glaçons ou sur le plancher et suivez les étapes ci-dessous.

1. Couvercle de la machine à glaçons
2. Plaque de recouvrement de la machine à glaçons
3. Récipient d'eau
4. Tube de drainage

REMARQUE :

- Lorsque l'appareil est débranché ou éteint, ou en cas de panne d'alimentation, vous devez attendre de 3 à 5 minutes avant de le remettre en marche. En cas de tentative de remise en marche avant l'expiration de ce délai, la machine à glaçons ne se remettra pas en marche.

Fig A.

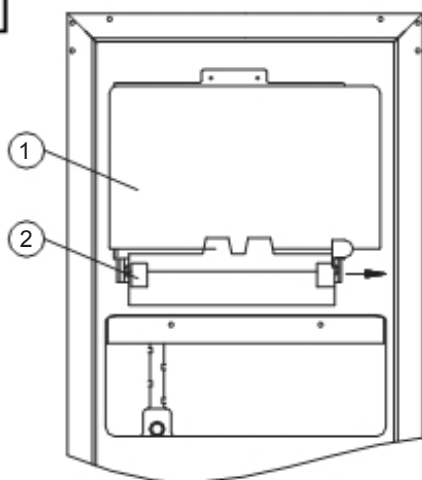
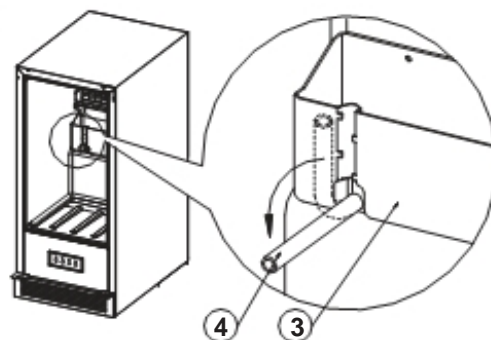


Fig B.



1. Retirez le couvercle (1) de la machine à glaçons (Fig. A)
 2. Utilisez la brosse pour nettoyer toutes les pièces, puis rincez-les à l'eau propre.
 3. Après le nettoyage, réinstallez les pièces en ordre inverse.
 4. Pour drainer l'eau qui se trouve dans le récipient d'eau (3) délogez le tube de drainage.(4) (Fig. B)

DÉPANNAGE

De temps en temps, un problème est mineur et un appel de service peut ne pas être nécessaire. Utilisez ce guide de dépannage pour trouver une solution possible. Si l'unité continue de fonctionner incorrectement, appelez un dépôt de service autorisé ou le numéro sans frais pour obtenir de l'assistance.

PROBLÈME	CAUSE POSSIBLE
1) La machine à glaçons ne fonctionne pas	<ul style="list-style-type: none"> • L'appareil n'est pas branché • L'appareil est éteint • Le disjoncteur s'est éteint ou un fusible a brûlé
2) Les glaçons ne sont pas assez gros ou fondent trop rapidement	<ul style="list-style-type: none"> • La température ambiante est trop élevée • La porte est trop souvent ouverte • La porte n'est pas complètement fermée • Le scellant de porte ne fonctionne pas adéquatement • Mode incorrect • Trop de poussière sur le condenseur
3) Alarmes émises par la machine à glaçons	<ul style="list-style-type: none"> • Réservoir d'eau extérieur plein • Pas assez d'eau
4) Vibrations	<ul style="list-style-type: none"> • Assurez-vous que la machine à glaçons est au niveau.
5) Bruit	<ul style="list-style-type: none"> • Le cliquetis peut provenir de l'écoulement du frigorigène, ce qui est normal. • à la fin de chaque cycle, vous pouvez entendre un gargouillement causé par l'écoulement du frigorigène dans votre machine à glaçons. • La contraction et la dilatation des parois internes peut provoquer les claquements et craquements. • La distribution des glaçons à chaque cycle peut provoquer de légers bruits. • L'écoulement de l'eau cause des bruits pendant le fonctionnement normal de la machine à glaçons. • La machine à glaçons n'est pas au niveau.
6) Fuite d'eau de la machine à glaçons	<ul style="list-style-type: none"> • Le tuyau d'entrée d'eau à l'arrière est trop desserré. • Le tuyau de sortie d'eau à l'arrière est trop desserré.

GARANTIE LIMITÉE

GARANTIE LIMITÉE D'UN AN

Garantie limitée valable sur le territoire limitrophe des États-Unis, soit les 48 États, et cette garantie se limite à une période de douze (12) mois à partir de la date d'achat originale.

Pour recevoir un service couvert par la garantie, l'appareil en question doit avoir été utilisé et entretenu conformément aux instructions fournies, auquel cas le responsable de la garantie payera pour les pièces et la main-d'œuvre nécessaire à la réparation pour corriger un défaut de fabrication ou de matériel. La réparation doit être réalisée par une entreprise de service choisie. À l'extérieur des 48 États, toutes les pièces ont une garantie d'un an contre les défauts de fabrication. Les pièces en plastique, les tablettes et les compartiments sont garantis d'être fabriqués selon des normes commerciales acceptables, mais les dommages survenus lors de la manipulation ou d'un bris du produit ne sont pas couverts.

GARANTIE DE 5 ANS SUR LE COMPRESSEUR

1. Le compresseur est couvert par une garantie de cinq (5) ans.
2. Le compresseur est couvert par une garantie de cinq (5) ans.

PIÈCES OU SERVICES NON COUVERTS PAR LA GARANTIE :

1. Intervention d'un technicien pour corriger l'installation de votre appareil, pour vous aiguiller sur la façon d'utiliser l'appareil, pour remplacer ou réparer un fusible, ou pour corriger le filage ou la tuyauterie.
2. Intervention d'un technicien pour réparer ou remplacer une ampoule ou une tablette de l'appareil. Les produits consommables (comme les filtres).
3. Les dommages causés par un accident, une modification, une mauvaise utilisation, une utilisation abusive, un incendie, une inondation, une force majeure, une mauvaise installation, une installation non conforme aux codes d'électricité ou de plomberie, ou l'utilisation de produits non approuvés par le responsable de la garantie.
4. Les pièces de remplacement ou les coûts de main-d'œuvre de réparation pour un appareil utilisé à l'extérieur des États-Unis
5. La réparation de pièces ou de systèmes en raison d'une modification non autorisée de l'appareil
6. Les dépenses de déplacement et de transport pour un service obtenu dans un endroit éloigné.
7. Le retrait et la réinstallation de votre appareil s'il a été installé dans un endroit inaccessible ou n'a pas été installé conformément aux instructions fournies.

AVIS DE NON-RESPONSABILITÉ DE TOUTE GARANTIE IMPLICITE - LIMITATION DES RECOURS

LE SEUL ET EXCLUSIF RECOURS DU CLIENT DANS LE CADRE DE LA PRÉSENTE GARANTIE EST LA RÉPARATION DU PRODUIT, COMME DÉCRIT AUX PRÉSENTES. LES GARANTIES IMPLICITES, Y COMPRIS LES GARANTIES DE COMMERCIALITÉ ET D'ADAPTATION À UN USAGE PARTICULIER, SONT LIMITÉES À UN AN. LE RESPONSABLE DE LA GARANTIE N'ASSUME AUCUNE RESPONSABILITÉ DANS LE CAS DE DOMMAGES INDIRECTS OU CONSÉCUTIFS. CERTAINS ÉTATS N'AUTORISENT PAS L'EXCLUSION OU LA LIMITATION DES RESPONSABILITÉS DANS LE CAS DE DOMMAGES INDIRECTS OU CONSÉCUTIFS, OU LES LIMITATIONS SUR LA DURÉE DES GARANTIES IMPLICITES DE COMMERCIALITÉ ET D'ADAPTATION À UN USAGE PARTICULIER. PAR CONSÉQUENT, CES EXCLUSIONS OU LIMITATIONS PEUVENT NE PAS S'APPLIQUER À VOUS, LE CAS ÉCHÉANT. LA PRÉSENTE GARANTIE VOUS DONNE DES DROITS PRÉCIS RECONNUS PAR LA LOI ET VOUS AVEZ PEUT-ÊTRE D'AUTRES DROITS, SELON L'ÉTAT OÙ VOUS VIVEZ..

AVERTISSEMENT! Ce produit peut contenir des produits chimiques qui, selon l'État de Californie, peuvent causer le cancer, des anomalies congénitales, ou d'autres troubles de reproduction. Pour obtenir de plus amples renseignements, veuillez visiter le site: www.summitappliance.com/prop65. Produits chimiques dont le fabricant connaît la présence et dont le taux de concentration est supérieur aux limites établies : **AUCUN.**

FELIX STORCH, INC.

770 Garrison Avenue

Bronx, NY 10474

Téléphone: (718) 893-3900

Télécopieur: (718) 842-3093

www.summitappliance.com

SUMMIT

For parts and accessory ordering,
troubleshooting and helpful hints, visit:
www.summitappliance.com/support

Printed in China