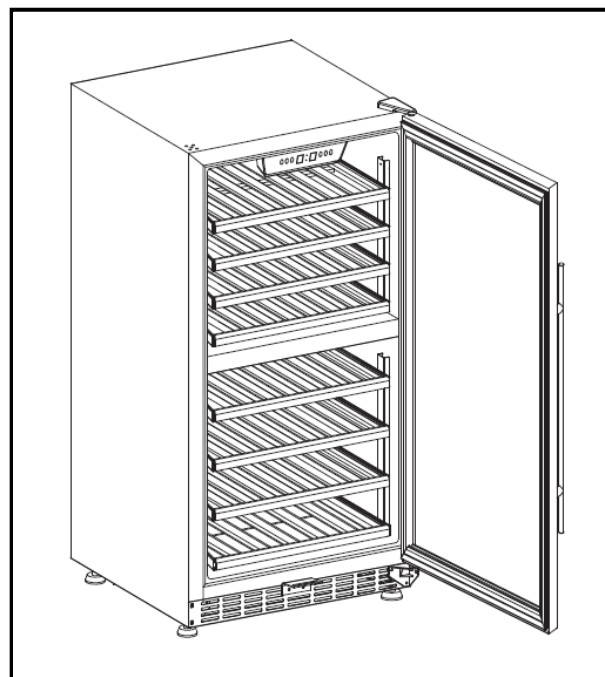




TWO-ZONE WINE COOLERS

Models SWC902D
SWC1380D



Owner's Manual

**BEFORE USE, PLEASE READ AND FOLLOW
ALL SAFETY RULES AND OPERATING INSTRUCTIONS**

*Write Model and Serial
Numbers here:*

**Felix Storch, Inc.
Summit Appliance Division
An ISO 9001:2015 registered company
770 Garrison Avenue
Bronx, NY 10474
www.summitappliance.com**

IMPORTANT SAFETY INSTRUCTIONS

⚡WARNING⚡ To reduce the risk of fire, electrical shock or injury when using your appliance, follow these basic precautions

- Read all instructions before using the wine cooler.
- Plug into a grounded 3-prong outlet. Do not remove grounding prong, do not use an adapter, and do not use an extension cord.
- It is recommended that a separate circuit, serving only your wine cooler, be provided. Use receptacles that cannot be turned off by a switch or pull chain.
- Never clean wine cooler parts with flammable fluids. These fumes can create a fire hazard or explosion.
- Before proceeding with cleaning and maintenance operations, make sure the power line of the unit is disconnected.
- Do not connect or disconnect the electric plug when your hands are wet.
- Unplug the wine cooler or disconnect the power before cleaning or servicing. Failure to do so can result in electrical shock or death.
- Do not attempt to repair or replace any part of your appliance unless it is specifically recommended in this manual. All other servicing should be referred to a qualified technician.
- Do not store or use gasoline or any other flammable vapors and liquids in the vicinity of this or any other appliance. The fumes can create a fire hazard or explosion.
- Use two or more people to move and install the wine cooler. Failure to do so can result in back or other injury.
- To ensure proper ventilation for your appliance, the front of the unit must be completely unobstructed. Choose a well-ventilated area with temperatures above 61°F (16°C) and below 95°F (35°C). This unit must be installed in an area protected from the elements, such as wind, rain, water spray or drips.
- The wine cooler should not be located next to ovens, grills or other sources of high heat.
- The wine cooler must be installed with all electrical connections in accordance with state and local codes. A standard electrical supply (115V AC only, 60 Hz), properly grounded in accordance with the National Electrical Code and local codes and ordinances, is required.
- To avoid damaging the door gasket, be sure the door is fully open when pulling out shelves.
- Do not kink or pinch the power supply cord of the appliance.
- The fuse (or circuit breaker) size should be 15 amps.
- It is important for the wine cooler to be leveled in order to work properly. You may need to make several adjustments to level it.

- Although the unit has been tested at the factory, due to transit and storage, you should clean the appliance before use.
- Do not use solvent-based cleaning agents or abrasives on the interior. These cleaners may damage or discolor the interior.
- Do not use this apparatus for other than residential purposes.
- This appliance is CFC- and HFC-free and contains a small quantity of Isobutane (R600a) which is environmentally friendly, but flammable. It does not damage the ozone layer, nor does it increase the greenhouse effect. Care must be taken during transportation and setting up of the appliance that no parts of the cooling system are damaged. Leaking coolant can ignite and may damage the eyes.

In the event of any damage:

- Avoid open flames and anything that creates a spark,
 - Disconnect from the electrical power line,
 - Air the room in which the appliance is located for several minutes and
 - Contact the Service Department for advice.
- The more coolant there is in an appliance, the larger the room it should be installed in. In the event of a leakage, if the appliance is in a small room, there is the danger of combustible gases building up. For every ounce of coolant at least 325 cubic feet of room space is required. The amount of coolant in the appliance is stated on the rating label. It is hazardous for anyone other than an Authorized Service Person to carry out servicing or repairs to this appliance.
 - Take serious care when handling, moving, and using the appliance to avoid either damaging the refrigerant tubing or increasing the risk of a leak.
 - Replacing component parts and servicing shall be done by factory authorized service personnel so as to minimize the risk of possible ignition due to incorrect parts or improper service.

DANGER! *Risk of child entrapment*

Child entrapment and suffocation are not problems of the past. Junked or abandoned appliances are still dangerous, even if they will “just sit in the garage a few days”.

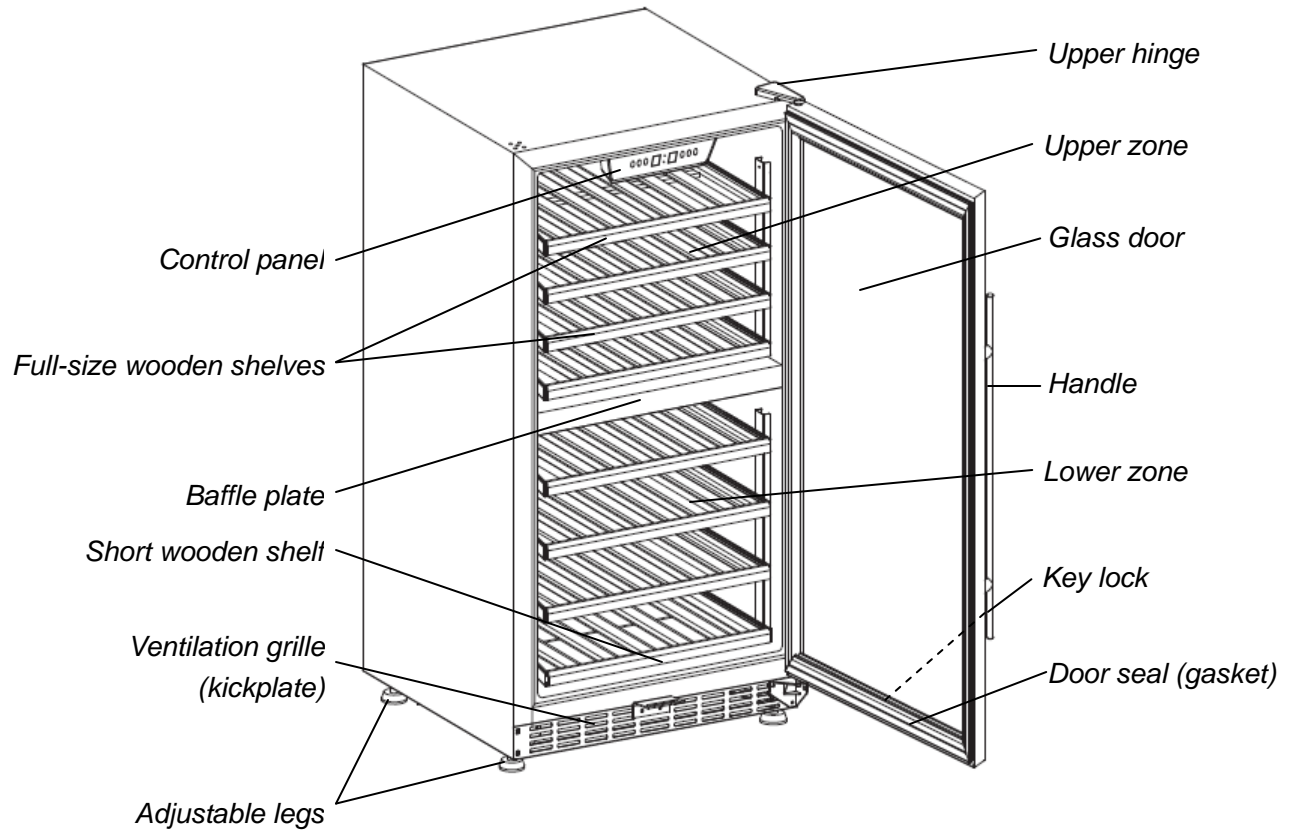
- **Before you throw away your old wine cooler or any appliance:** Remove the door. Leave the shelves in place so that children may not easily climb inside.
- Never allow children to operate, play with, or crawl inside the appliance.

- SAVE THESE INSTRUCTIONS -

TABLE OF CONTENTS

Important Safety Instructions	1 – 2
Location of Parts	4
Installation Instructions.....	5 - 7
Before using your wine cooler	5
Installation of your wine cooler	5
Reversing the door swing of your appliance	5 - 7
Operating Your Wine Cooler	8 - 10
Recommended temperatures for chilling wine	8
Dual zone control panel	8
Operation of the buttons	8 - 9
Door lock	9
Defrosting	9
To remove or change the position of a shelf	10
Storage of wine bottles	10
Care and Maintenance	11
Cleaning your wine cooler	
Power failure	
Vacations	
Transporting your wine cooler	
Energy-saving tip	
Problems with Your Wine Cooler	12
Limited Warranty	15

LOCATION OF PARTS



NOTE: Each zone has a *Ventilation fan* and a *Sensor* located on the rear wall.

An *Active carbon filter* is installed in the rear wall of the upper zone. This filter improves air purity and cooling efficiency, and helps maintain an odor-free environment for the stored wine. We recommend that the filter be changed every 12 months.

INSTALLATION INSTRUCTIONS

Before Using Your Wine Cooler

Remove the exterior and interior packing.

Before connecting the wine cooler to the power source, let it stand upright for approximately 2 hours. This will reduce the possibility of a malfunction in the cooling system from handling during transportation.

Clean the interior surface with lukewarm water using a soft cloth.

This cooler is specifically designed for the storage of wine – do not use it for other purposes.

Installation of Your Wine Cooler

This appliance is designed for free standing or built-in (fully recessed) installation. If free standing, the unit should have at least 4" of clearance at both sides, at the top and at the back to allow for adequate ventilation. If it is built-in, leave at least 3/16" at both sides, 1/16" at the top and 2" at the rear. Be sure that airflow under the appliance is not blocked.

Place your wine cooler on a floor that is strong enough to support it when it is fully loaded. To level your wine cooler, adjust the front leveling legs at the bottom of the unit.

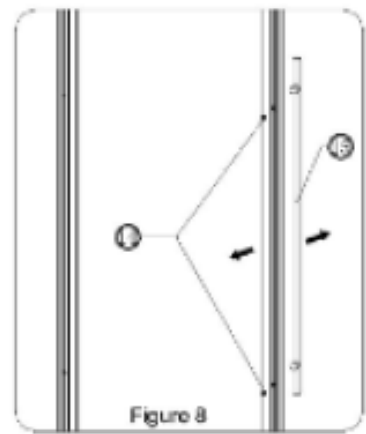
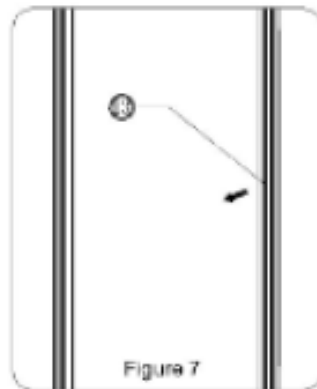
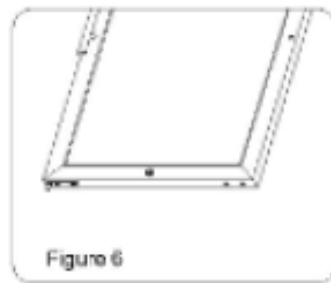
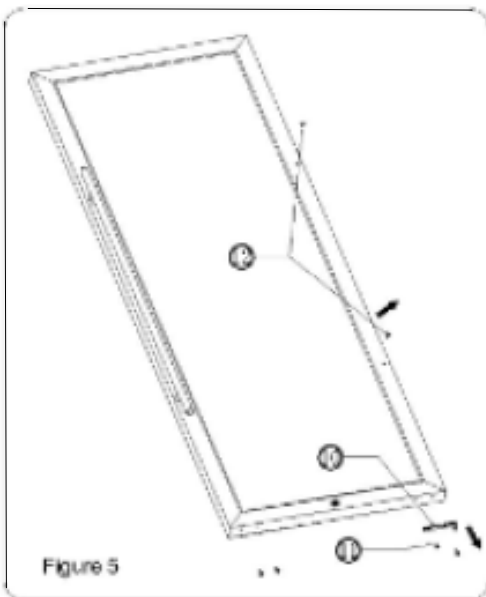
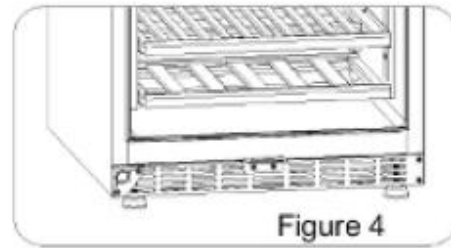
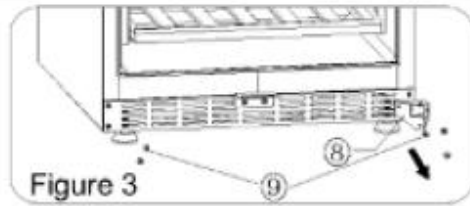
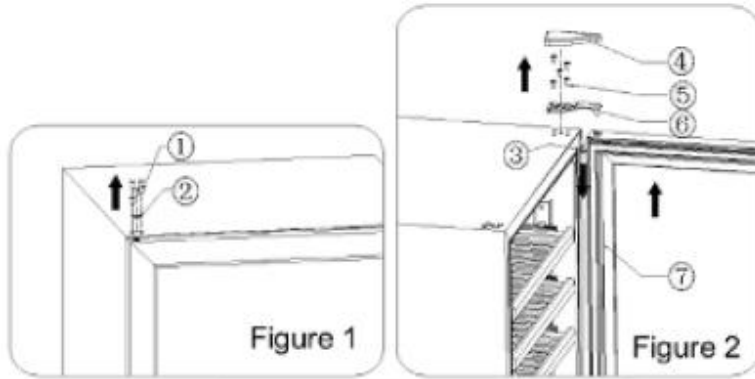
Locate the wine cooler away from direct sunlight and sources of heat (stove, heater, radiator, etc.). Direct sunlight may affect the acrylic coating and heat sources may increase electrical consumption. Extremely cold ambient temperatures may also cause the unit to perform improperly.

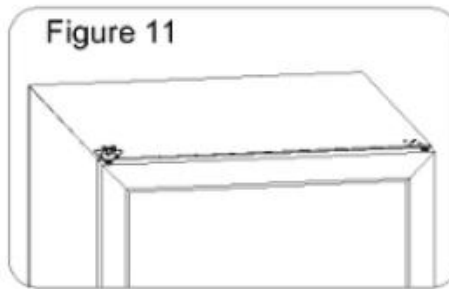
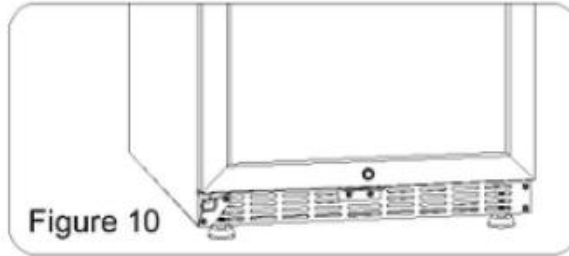
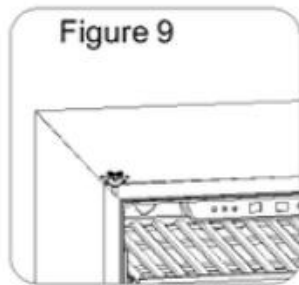
Avoid locating the unit in moist areas.

Plug the wine cooler into an exclusive, properly installed and grounded wall outlet. Do not under any circumstances cut or remove the third (ground) prong from the power cord. Any questions concerning power and/or grounding should be directed toward a certified or authorized products service center.

Reversing the Door Swing of Your Appliance

This appliance has the capability of the door opening from either the left or right side. The unit is delivered to you with the door opening from the left side. Should you desire to reverse the opening direction, please follow the diagrams and instructions on the following pages.





NOTE: All parts removed must be saved to allow the door swing to be reversed.

1. Carefully use a sharp tool to pry up the decorative cap at the top of the cabinet and also the cap of the door hinge (Fig.1).
2. Open the door slightly, remove the screw holding the door hinge cover, remove the upper door hinge cover, then unscrew all the screws holding the upper door hinge. Be sure to hold the glass door firmly while removing the screws and taking off the door (Fig. 2).
3. Remove the screw of the right lower door hinge and the left side screw of the front vent (Fig. 3). Then take the left lower door hinge from the plastic bag containing the manual and install it at the designated position on the opposite side (Fig. 4).
4. Remove the screw holding the door handle, then remove the bottom screw at the left side of the door and remove the lower support of the door (Fig. 5). Install the lower support of the door on the opposite side (Fig.6).
5. Pull open the middle section of the door gasket to reveal the handle screw hole (Fig. 7). Remove the handle and install it on the opposite side (Fig. 8).
6. Install the upper door hinge on the opposite side and tighten the screws (Fig. 9).
7. Set the lower door shaft into the shaft hole of the lower door hinge (Fig. 10), and then do likewise with the upper door shaft and shaft hole (Fig. 11). Adjust the door so that it is aligned with the cabinet and level, then tighten all lock screws.

If necessary, you can call customer service for door reversal instructions.

OPERATING YOUR WINE COOLER

The wine cooler should be placed where the ambient temperature is between 61 and 95 degrees Fahrenheit (16-35°C). If the ambient temperature is above or below this range, the performance of the unit may be affected. For example, placing your unit in extremely cold or hot conditions may cause interior temperatures to fluctuate.

Recommended Temperatures for Chilling Wine

Red Wines:	58-65°F (15-18°C)
Dry / White Wines	48-57°F (9-18°C)
Sparkling Wine	40-47°F (5-9°C)

The above temperatures may vary slightly depending on whether or not the cabinet light is ON or OFF or whether the bottles are located on the upper or lower section.

Dual Zone Control Panel



- **RUN light:** This indicates when the compressor is operating. When the compressor is operating, the red light is on. When it stops, the light is off.
- **UPPER CHAMBER:** This displays the actual temperature of the upper chamber. It can display temperatures from 0°C to 37°C (32°F to 99°F).
- **LOWER CHAMBER:** This displays the actual temperature of the lower chamber. It can display temperatures from 0°C to 37°C (32°F to 99°F).
- **°C/°F light:** When the °C light is on, the temperature displayed is in Celsius. When the °F light is on, the temperature is in Fahrenheit.

Operation of the Buttons

- **SET Button of the upper chamber:** This button sets the temperature in the upper zone. Each time you press the button, the set temperature increases 1°C or 1°F. The allowable setting range is between 5°C and 12°C (41°F to 54°F).
- **SET Button of the lower chamber:** This button sets the temperature in the lower zone. Each time you press the button, the set temperature increases 1°C or 1°F. The allowable setting range is between 12°C and 22°C (54°F to 72°F).

- **LIGHT Button:** This controls the LED cabinet light.
NOTE: Once the light is turned on, it will shut off automatically after 10 minutes.
- **°C/°F Button:** Converts the temperature display to Celsius or Fahrenheit.
- **ON/OFF Button:** This turns the unit on or off. Press once to start the unit; press again to turn it off.

To view the SET temperature for either chamber at any time, press SET button once. The SET temperature will flash in the LED display for 5 seconds, then the display will show the internal temperature of the chamber once again.

Temperature memory function: In the event of a power interruption, all previous temperature settings will be restored once the power returns.

NOTES:

1. This wine cooler has a delay protection feature. Once the unit has lost power or is turned off, the compressor will start to work again only after a period of 3 to 5 minutes after power is restored.
2. When you use the wine cooler for the first time, or restart the wine cooler after it has been shut off for a long time, there could be a few degrees variation between the temperature you select and the one indicated on the LED readout. This is normal and is due to the length of the inactivation time. Once the wine cooler has been running for a few hours, it should operate normally.

Door Lock

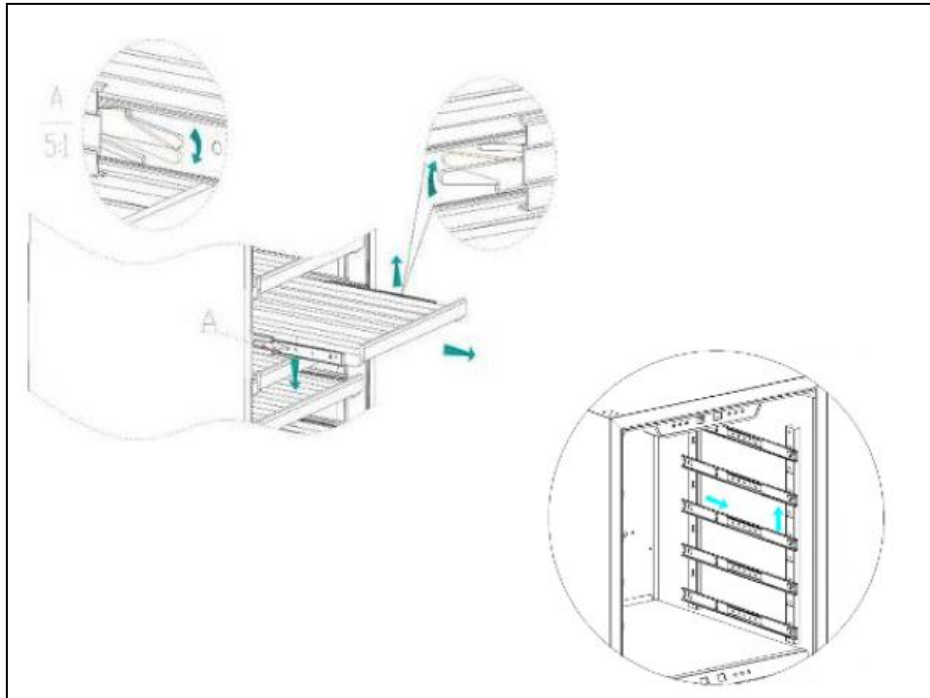
This unit can be secured with a lock and key. The keys are located inside the plastic bag that contains the *Owner's Manual*. Insert the key into the lock at the bottom of the door and turn it counter-clockwise to lock the door, making sure the metal pin is engaged completely. To unlock the door, do the reverse. Remove the key and put it in a secure location.

Defrosting

The wine cooler defrosts automatically during its operating cycle. The water resulting from the defrosting is collected in a drip tray near the compressor at the back where it is automatically evaporated. During the defrosting operation, the displayed temperature may be higher than the set temperature.

To remove or change the position of a shelf

Follow the illustrations and instructions below if you wish to take out a shelf:



First remove all wine bottles from the shelf and pull it out as far as you can. Simultaneously press down the left lever on the sliding shelf and press the right one up, pulling the shelf out at the same time. Next, push up on the shelf to release the front hook from the shelf bracket. Then just pull the shelf out.

To reinstall a shelf, follow these steps in reverse.

Storage of Wine Bottles

Your wine cooler was designed to store wine bottles in total security. Model SWC902D can hold up to 76 standard wine bottles, and model SWC1380D can hold up to 144.

We recommend that you observe the following tips to optimize loading:

- Spread your bottles out as evenly as possible over the shelves, so that weight is not concentrated in one spot. Also make sure your bottles do not touch the back of the cabinet or the step at the bottom of the lower chamber.
- Make sure that bottles are not all grouped together at the top or bottom of the cabinet.
- Never stack more than one layer of bottles on a sliding shelf.
- Never try to pull out more than one sliding shelf at a time.

CARE AND MAINTENANCE

Cleaning Your Wine Cooler

1. Turn off the power, unplug the appliance, and remove all items including shelves and racks.
2. Wash the inside surfaces with a warm water and baking soda solution. The solution should be about 2 tablespoons of baking soda to a quart of water.
3. Wash the shelves with a mild detergent solution.
4. Wring excess water out of the sponge or cloth when cleaning the area near the controls, or any electrical parts.
5. Wash the outside cabinet with warm and mild liquid detergent. Rinse well and wipe dry with a clean soft cloth. Clean the stainless steel trim with a product specifically designed for this use.

Power Failure

Most power failures are corrected within a few hours and should not affect the temperature of your appliance if you minimize the number of times the door is opened. If power is going to be off for a longer period of time, you need to take the proper steps to protect the contents of your wine cooler.

Vacations

Leave the wine cooler operating during vacations of less than three weeks. For periods longer than this, turn the wine cooler off and leave the door slightly ajar to prevent odor from building inside the appliance.

Transporting your Wine Cooler

If you need to move your wine cooler once the box has been discarded:

1. Securely tape down all loose items (shelves) inside your appliance.
2. Turn the adjustable legs up to the base to avoid damage.
3. Tape the door shut.
4. Be sure the appliance stays secure in the upright position during transportation. Also protect the outside of the appliance with a blanket or similar item.

Energy-saving Tip

The wine cooler should be located in the coolest area of the room, away from heat-producing appliances, and out of the direct sunlight.

PROBLEMS WITH YOUR WINE COOLER

You can solve many common wine cooler problems easily, saving you the cost of a possible service call. Try the suggestions below to see if you can solve the problem before calling a service technician.

TROUBLESHOOTING GUIDE

Problem	Possible Cause
Wine cooler does not operate.	Not plugged in. The appliance is turned off. The circuit breaker has tripped or a fuse has blown.
Wine cooler is not cold enough.	Check the temperature control setting. External environment may require a higher setting. The door is opened too often. The door is not closed completely. The door gasket does not seal properly.
Turns on and off frequently.	The room temperature is hotter than normal. A large number of bottles have been added to the wine cooler. The door is opened too often. The door is not closed completely. The temperature control is not set correctly. The door gasket does not seal properly.
The light does not work.	Not plugged in. The circuit breaker has tripped or fuse has blown. The bulb has burned out. The light button is OFF.
Vibrations	Check to be sure that the wine cooler is level.
The wine cooler seems to be making too much noise.	Some noise may come from the flow of the refrigerant, which is normal. As each cycle ends, you may hear gurgling sounds caused by the flow of refrigerant. Contraction and expansion of the inside walls may cause popping and crackling noises. The wine cooler is not level.
The door will not close properly.	The wine cooler is not level. The door was reversed and not properly installed. The gasket is dirty. The shelves are out of position.

This appliance is intended to be used exclusively for the storage of wine.

NOTES

NOTES

LIMITED WARRANTY

ONE-YEAR LIMITED WARRANTY

Within the 48 contiguous United States, for one year from the date of purchase, when this appliance is operated and maintained according to instructions attached to or furnished with the product, warrantor will pay for factory-specified parts and repair labor to correct defects in materials or workmanship. Service must be provided by a designated service company. Outside the 48 states, all parts are warranted for one year from manufacturing defects. Plastic parts, shelves and cabinets are warranted to be manufactured to commercially acceptable standards, and are not covered from damage during handling or breakage.

5-YEAR COMPRESSOR WARRANTY

1. The compressor is covered for 5 years.
2. Replacement does not include labor.

ITEMS WARRANTOR WILL NOT PAY FOR:

1. Service calls to correct the installation of your appliance, to instruct you how to use your appliance, to replace or repair fuses or to correct wiring or plumbing.
2. Service calls to repair or replace appliance light bulbs or broken shelves. Consumable parts (such as filters) are excluded from warranty coverage.
3. Damage resulting from accident, alteration, misuse, abuse, fire, flood, acts of God, improper installation, installation not in accordance with electrical or plumbing codes, or use of products not approved by warrantor.
4. Replacement parts or repair labor costs for units operated outside the United States.
5. Repairs to parts or systems resulting from unauthorized modifications made to the appliance.
6. The removal and reinstallation of your appliance if it is installed in an inaccessible location or is not installed in accordance with published installation instructions.

DISCLAIMER OF IMPLIED WARRANTIES – LIMITATION OF REMEDIES

CUSTOMER'S SOLE AND EXCLUSIVE REMEDY UNDER THIS LIMITED WARRANTY SHALL BE PRODUCT REPAIR AS PROVIDED HEREIN. IMPLIED WARRANTIES, INCLUDING WARRANTIES OF MERCHANTABILITY OR FITNESS FOR A PARTICULAR PURPOSE, ARE LIMITED TO ONE YEAR. WARRANTOR SHALL NOT BE LIABLE FOR INCIDENTAL OR CONSEQUENTIAL DAMAGES. SOME STATES DO NOT ALLOW THE EXCLUSION OR LIMITATION OF INCIDENTAL OR CONSEQUENTIAL DAMAGES, OR LIMITATIONS ON THE DURATION OF IMPLIED WARRANTIES OF MERCHANTABILITY OR FITNESS, SO THESE EXCLUSIONS OR LIMITATIONS MAY NOT APPLY TO YOU. THIS WARRANTY GIVES YOU SPECIFIC LEGAL RIGHTS AND YOU MAY ALSO HAVE OTHER RIGHTS, WHICH VARY FROM STATE TO STATE.



WARNING: This product can expose you to chemicals including Nickel (Metallic) which is known to the State of California to cause cancer.

For more information go to www.P65Warnings.ca.gov

Note: Nickel is a component in all stainless steel and some other metal components.

FELIX STORCH, INC.
770 Garrison Avenue
Bronx, NY 10474
Phone: (718) 893-3900
Fax: (844) 478-8799
www.summitappliance.com

SUMMIT

For parts and accessory ordering,
troubleshooting and helpful hints, visit:
www.summitappliance.com/support

Printed in China