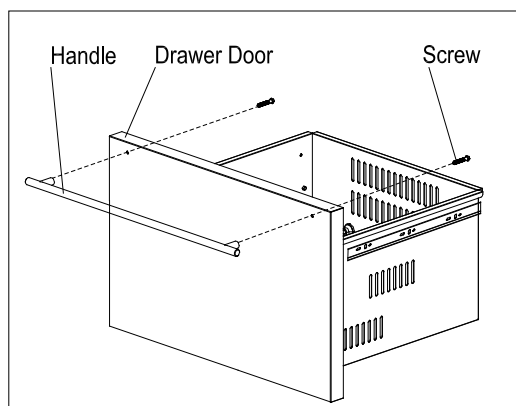


## **INSTALLING THE STAINLESS STEEL HANDLES**

This appliance includes two stainless steel handles that are not required to operate the unit. To install the handles, follow the instructions below:

1. Remove the door gasket.
2. Install the handle with the screws provided. (DO NOT over-tighten as this will cause damage to the stainless steel door surface.)
3. Replace the door gasket.



## **FULL OVERLAY PANEL INSTALLATION**

### **INSTRUCTION**

These models are designed for field-installed overlay panels. The overlay panels cover the stainless steel to give a built-in appearance. The overlay panel and appropriate hardware are not included with the unit and the end user needs to prepare them himself. Please follow the instructions below for installation:

- Remove any items stored inside the drawers. Press the left slide release lever down and at the same time lift the corresponding right slide lever up, and pull the drawer out until it is free of tracks and the cabinet. (Fig. 1)
- Peel off the gasket and remove the handle by removing the two screws that attach the handle to the door.
- Drill the 2 holes shown by using a 3/16" drill bit on the bottom of drawer door front. (Fig. 2)
- Cut the overlay panels with thickness 3/4" to the following dimensions:

If reusing the handles that came with the unit, drill two holes with diameter 3/16" in the overlay panel. Attach the handle and overlay panel together to the drawer face using 2 M4x55 screws and through the upper 2 existing holes inside the door groove. Then attach the overlay panel to the drawer face using 2 wood screws #10x1.5 (ST4x40) Type AB Phillips and through the lower 2 existing holes inside the door groove. (Fig. 3)

- If user-supplied handles will be used, attach the handles to the overlay panels by using the flat head screws and drive the screws flush with the panels. Then attach the overlay panel to the drawer face using the 4 wood screws #10x1.5 (ST4x40) and through the 4 existing holes inside the door groove.
- Peel back the gaskets, then align the left and right slide channels with the tracks in the cabinet. Ensuring an even track engagement on both sides, gently push the drawer into the cabinet until it stops.

