

# ***Installation Instructions***

## ***Built-In Wall Oven***

***24" (61 cm) model  
SEW24SS***

If you are in need of service, please either fill out a service request on our website, <http://www.summitappliance.com/support>, or call us at 800-932-4267 or 718-893-3900.

### ***Before You Begin***

Read these instructions carefully and completely.

- **IMPORTANT**— Save these instructions for local inspector's use.
- **IMPORTANT**— Observe all governing codes and ordinances.
- **Note to Installer**— Be sure to leave these instructions with the consumer.
- **Note to Consumer**— Keep these instructions for future reference.
- Proper installation is the responsibility of the installer and product failure due to improper installation is NOT covered under warranty.
- **NOTE**— This appliance must be properly grounded.
- **ATTENTION INSTALLER**  
All electric wall ovens must be hard wired (direct wired) into an approved junction box. A plug and receptacle is NOT permitted on these products.

## Important safety instructions

### For Your Safety

- Be sure your oven is installed properly by a qualified installer or service technician. Never install the wall oven in a horizontal cabinet.
- Be sure the oven is securely installed in a cabinet that is firmly attached to the house structure. Weight on the oven door could cause the oven to tip and result in injury. Never allow anyone to climb, sit, stand or hang on the oven door.
- Make sure the cabinets and wall coverings around the oven can withstand the temperatures (up to 93°C [200°F]) generated by the oven.



**WARNING:** *The electrical power to the oven supply line must be shut off while line connections are being made. Failure to do so could result in serious injury or death.*

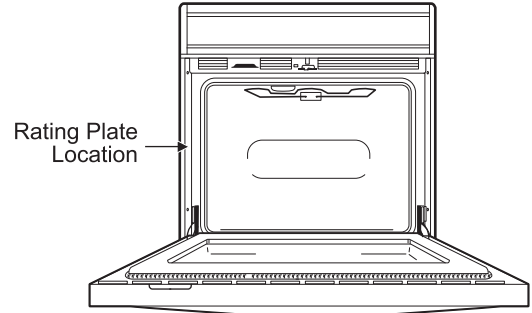
### Electrical Requirements

This appliance must be supplied with the proper voltage and frequency, and connected to an individual, properly grounded branch circuit, protected by a circuit breaker or fuse. See the rating plate located on the oven frame to determine the rating of the product. Use the chart below to determine the minimum recommended dedicated circuit protection.

<i>KW Rating 240V</i>	<i>KW Rating 208V</i>	<i>Recommended Circuit Size (Dedicated)</i>
$\leq$ 3.0 kW	$\leq$ 2.5 kW	20 Amp

### Electrical Requirements (cont.)

#### Rating Plate location.



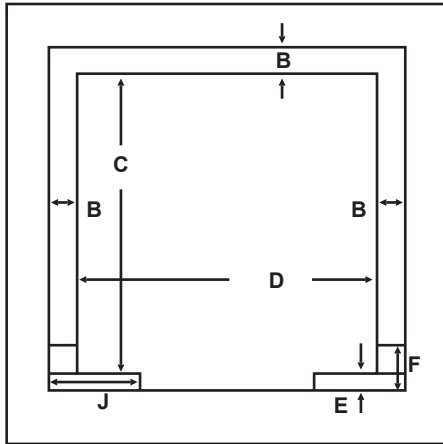
We recommend you have the electrical wiring and hookup of your oven connected by a qualified electrician. After installation, have the electrician show you where your main oven disconnect is located.

Check with your local utilities for electrical codes which apply in your area. Failure to wire your oven according to governing codes could result in a hazardous condition. If there are no local codes, your oven must be wired and fused to meet the requirements of CAN/CSA C22.2 No. O-M91 or latest edition.

You must use a three-wire, single-phase A.C. 208Y/120 Volt or 240/120 Volt, 60 hertz electrical system. If you connect to aluminum wiring, properly installed connectors approved for use with aluminum wiring must be used.

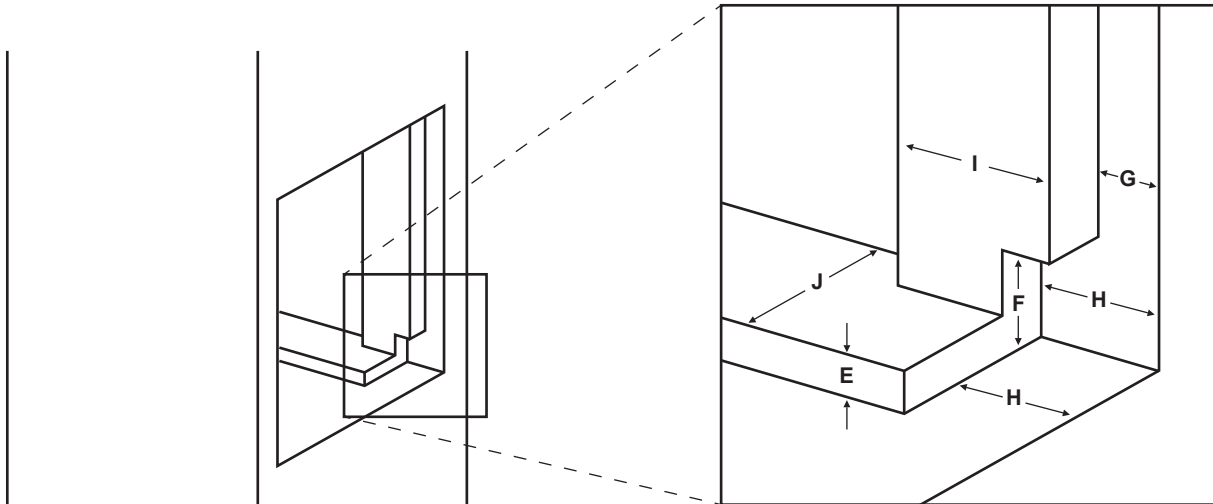
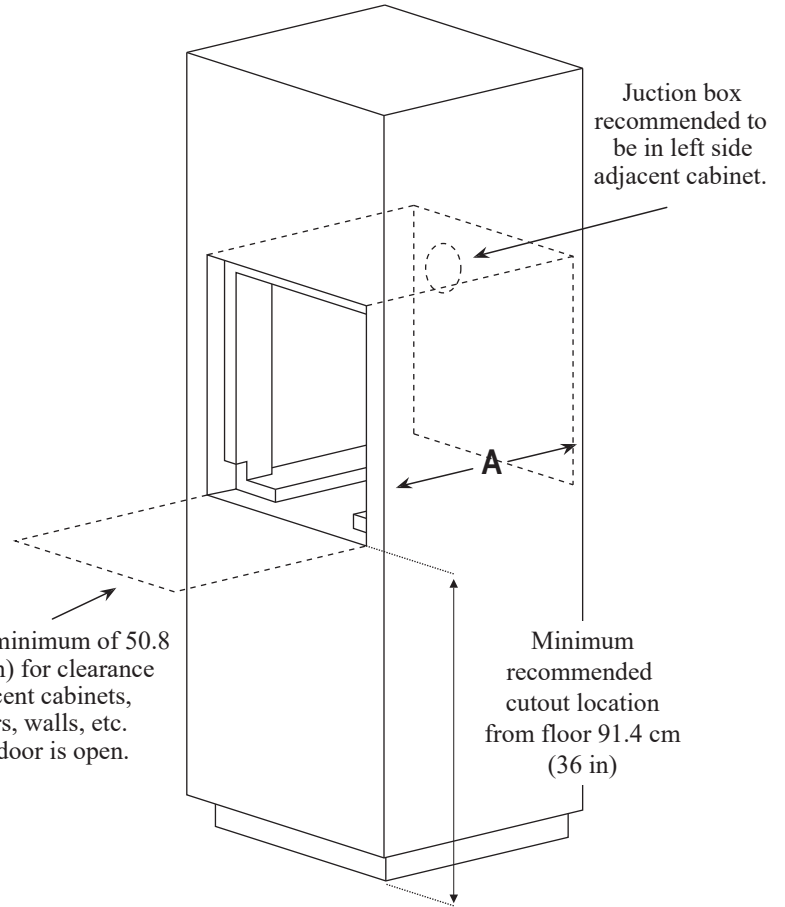
# Installation Instructions

## A Cutout for 24" (61 cm) Single Built-In Ovens only



The furniture must support 50 kg (110 lb)

Dim.	24" Single Electric Wall Oven
A	25 in (63,5 cm) min.
B	3/4 in (1,8 cm) min. 13/16 in (2,0) max.
C	23 1/8 in (58,7 cm) min. 23 3/16 in (58,9) max.
D	22 1/8 in (56,1 cm) min. 22 3/16 in (56,4) max.
E	5/16 in (0,8 cm) min. 3/8 in (1,0 cm) max.
F	1 in (2,5 cm) min. 1 1/8 in (2,8 cm) max.
G	11/16 in (1,8 cm) min. 3/4 in (2,0 cm) max.
H	1 1/4 in (3,1 cm) min. 1 3/8 in (3,5 cm) max.
I	2 in (5 cm) min.
J	5 1/2 (14 cm) min.



# Installation Instructions

## B Electrical Connections

### ATTENTION INSTALLER

All electric wall ovens must be hard wired (direct wired) into an approved junction box. A plug and receptacle is NOT permitted on these products.

DO NOT shorten the flexible conduit. The conduit strain relief clamp must be securely attached to the junction box and the flexible conduit must be securely attached to the clamp. If the flexible conduit will not fit within the clamp, do not install the oven until a clamp of the proper size is obtained.

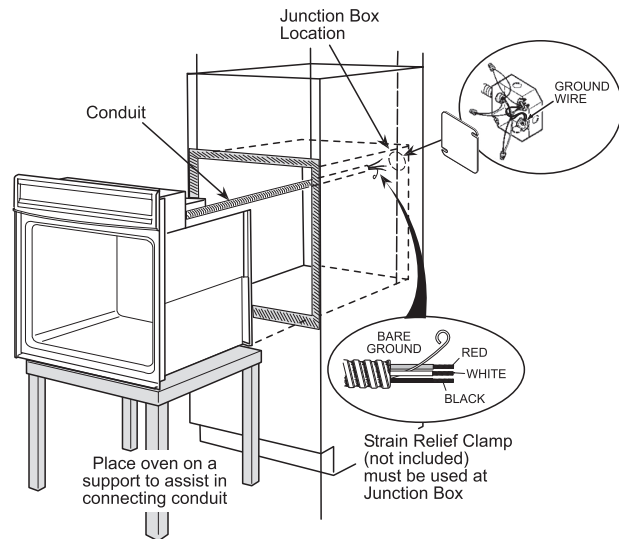
NOTE TO ELECTRICIAN: The 3 power leads supplied with this appliance are CSA recognized for connection to heavier gauge household wiring. The insulation of these 3 leads is rated at temperatures much higher than the temperature rating of household wiring. The current carrying capacity of the conductor is governed by the wire gauge and the temperature rating of the insulation around the wire.



**WARNING:** Improper connection of aluminum house wiring to copper leads can result in an electrical hazard or fire. Use only connectors designed for joining copper to aluminum and follow the manufacturer's recommended procedure closely.

**B1** Turn off the circuit breaker or remove fuses to the oven branch circuit.

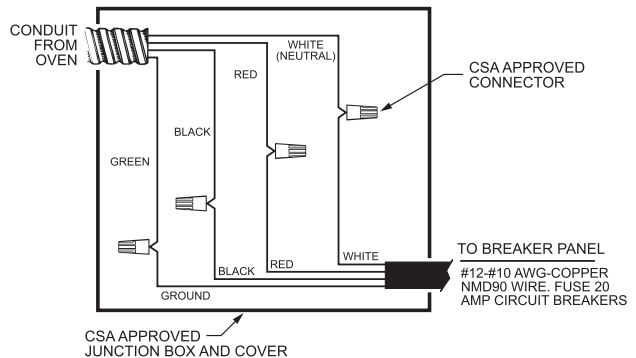
**B2** With the oven supported on a table or platform in front of the cabinet opening, connect the flexible conduit to the electrical junction box as shown below. Position the conduit in such a manner that it will lie on top of the oven in a natural loop when the oven is installed. You will need to purchase an appropriate strain relief clamp to complete the connection of the conduit to the junction box.



**B3** This oven is supplied with a 123 cm (48") long flexible conduit consisting of:

- 3 insulated conductors (copper)
- 1 insulated ground conductor (copper)

**B4** Suggestion: Attach conductors to residence wiring as shown by wiring diagram.

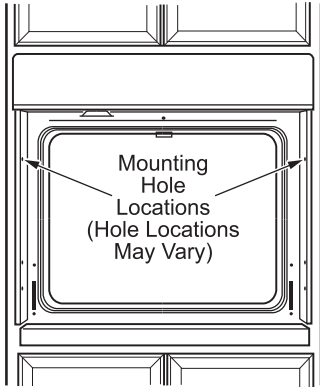


## **C** *Securing the Oven in the Opening*

### **Drilling the Pilot Holes and Mounting the Oven**

**NOTE:** Before drilling the pilot holes, make sure the oven is pushed as far back into the opening as it will go and is centered.

- a. Drill through the mounting holes in front frame, for the #8 screws provided.



The screws must be a minimum of 6 mm (1/4") from the front of the cutout.



**WARNING:** *Mounting screws must be used. Failure to do so could result in the oven falling out of the cabinet, causing serious injury.*

- b. Secure the oven to cabinet with screws provided.

**NOTE:** If the cabinet is particle board, you must use #8 x 19 mm (3/4") particle board screws. These may be purchased at any hardware store.

# Notes

---

# Notes

---

# Notes

---