



KITCHENETTE WALL CABINETS

Models:
CAB18TALLBLK
CAB18SHORTBLK
CAB12TALLBLK
CAB1818WHITE
CAB1812WHITE
CAB1218TALLWH

Installation Instructions

PLEASE READ AND FOLLOW ALL SAFETY RULES AND INSTRUCTIONS BEFORE USE.

Write Model and Serial Nos. (on lower left corner of inside cabinet) here:

Model No.: _____

Serial No.: _____

Felix Storch, Inc.
ISO 9001:2015 registered
770 Garrison Avenue
Bronx, NY 10474
www.summitappliance.com

SAFETY INFORMATION

Your safety and the safety of others are very important. We have provided important safety messages in this manual. Always read and obey all safety messages.

- Never clean the cabinet with flammable fluids. These fumes can create a fire hazard or explosion. And do not store or use gasoline or other flammable vapors and liquids in this cabinet. The fumes can create a fire hazard or explosion.
- Do not overload your cabinets.
- Caution - Do not store items of interest to children in cabinets. Children climbing to reach items in the cabinet could be seriously injured.
- It is important that the cabinet be leveled in order to work properly. You may need to make several adjustments to level it.
- Proper Installation - Be sure your cabinet is properly installed, per the manufacturer instructions.



Risk of child entrapment

Child entrapment and suffocation are not problems of the past. Junked or abandoned cabinets are still dangerous, even if they will “just sit in the garage a few days.”

- **Before you throw away your old cabinet:** Take off the doors. Leave the shelves in place so that children may not easily climb inside.
- Never allow children to operate, play with, or crawl inside the cabinet.

- SAVE THESE INSTRUCTIONS -

INSTALLATION INSTRUCTIONS

The following installation tips are intended to provide a general guideline for installation and not intended as a substitute for installation by a professional. Please have a trained professional install your cabinet if you are not experienced in installation matters.

Parts Included:

- ① Phillips screw ST5x30: 3pcs
- ② Mounting bracket: 1pcs
- ③ Plastic anchors: 3pcs
- ④ Wall storage cabinet: 1pcs
- ⑤ Screw M5x8: 2pcs

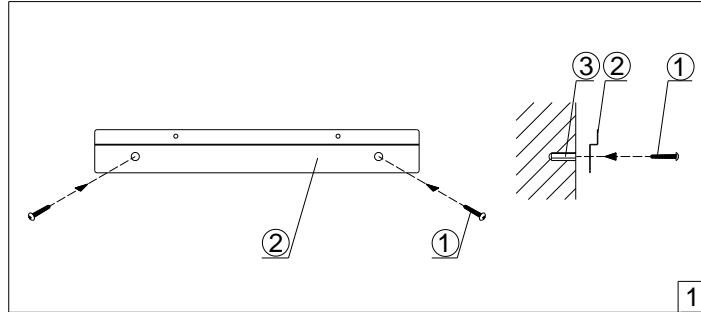
Installation

1. Use a standard level to mark the locations of the 2 holes of the mounting bracket on the wall.

NOTE: The wall mounting bracket should face upward so the cabinet mounting bracket can slide down into the wall mount.

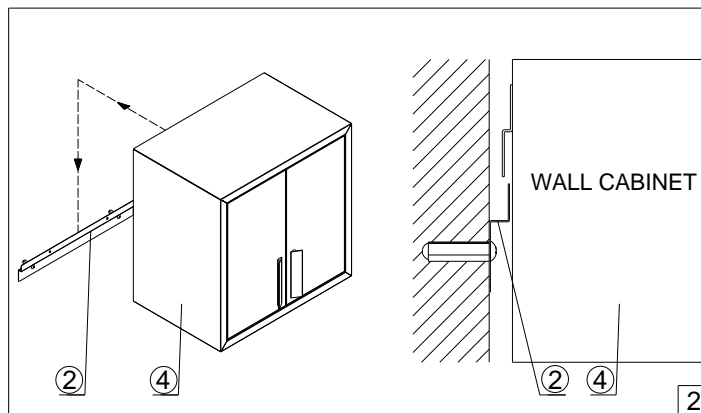
2. Use a 5/16” masonry drill bit, and insert plastic anchors ③ into the drilled holes.

3. Secure the mounting bracket ② to the wall using the two supplied Phillips screws ①.

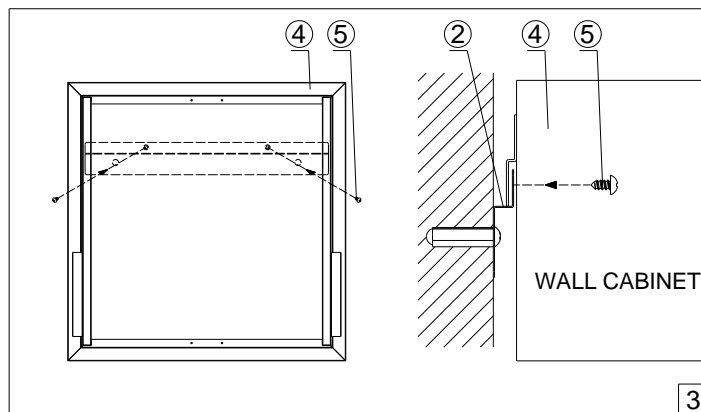


NOTE: Using all of the holes in the mounting bracket will ensure the most stable mounting for the cabinet.

4. Slide the cabinet ④ into position and make sure the cabinet engages the mounting bracket.



To secure the cabinet to the mounting bracket, use the two supplied screws ⑤.



NOTES:

1. If the cabinet is relocated, the mounting bracket must be removed and installed in the new location.
2. When installing in sheetrock with wooden studs behind – it is best to mount directly to the studs. If necessary drill new holes in the mounting bracket to align with the studs.

CLEANING AND CARE

Use a soft cloth dampened with warm water to clean your cabinets. If a more thorough cleaning is required, use a mild, all-purpose cleaner can be used. DO NOT use a cleaner with ammonia or silicone. Strong solvents or abrasive materials may damage the surface of your cabinet.

After cleaning, wipe all surfaces with a clean, damp cloth. Dry immediately, using another soft, clean cloth.

LIMITED WARRANTY

90-DAY LIMITED WARRANTY

This cabinet is warranted to be manufactured to commercially acceptable standards, and is not covered from damage during handling or installation. Cabinets with manufacturing defects will be replaced or repaired, at FSI's sole discretion, for 90 days following purchase for customers in the 48 contiguous United States.

ITEMS WARRANTOR WILL NOT PAY FOR:

1. Service calls to correct the installation of your cabinet, to instruct you how to use your cabinet, or to replace or repair the cabinet.
2. Service calls to repair or replace broken shelves.
3. Damage resulting from accident, alteration, misuse, abuse, fire, flood, acts of God, improper installation, installation not in accordance with electrical or plumbing codes, or use of products not approved by warrantor.
4. Replacement parts or repair labor costs for units operated outside the United States.
5. Repairs to parts or systems resulting from unauthorized modifications made to the cabinet.
6. The removal and reinstallation of your cabinet if it is installed in an inaccessible location or is not installed in accordance with published installation instructions.

DISCLAIMER OF IMPLIED WARRANTIES; LIMITATION OF REMEDIES

CUSTOMER'S SOLE AND EXCLUSIVE REMEDY UNDER THIS LIMITED WARRANTY SHALL BE PRODUCT REPAIR AS PROVIDED HEREIN. IMPLIED WARRANTIES, INCLUDING WARRANTIES OF MERCHANTABILITY OR FITNESS FOR A PARTICULAR PURPOSE, ARE LIMITED TO 90 DAYS. WARRANTOR SHALL NOT BE LIABLE FOR INCIDENTAL OR CONSEQUENTIAL DAMAGES. SOME STATES DO NOT ALLOW THE EXCLUSION OR LIMITATION OF INCIDENTAL OR CONSEQUENTIAL DAMAGES, OR LIMITATIONS ON THE DURATION OF IMPLIED WARRANTIES OF MERCHANTABILITY OR FITNESS, SO THESE EXCLUSIONS OR LIMITATIONS MAY NOT APPLY TO YOU. THIS WARRANTY GIVES YOU SPECIFIC LEGAL RIGHTS AND YOU MAY ALSO HAVE OTHER RIGHTS, WHICH VARY FROM STATE TO STATE.



WARNING: This product can expose you to chemicals including Nickel (Metallic) which is known to the State of California to cause cancer.

For more information go to www.P65Warnings.ca.gov

Note: Nickel is a component in all stainless steel and some other metallic compositions.

Felix Storch, Inc.
ISO 9001:2015 registered
770 Garrison Avenue
Bronx, NY 10474
www.summitappliance.com

SUMMIT

For parts and accessory ordering,
troubleshooting and helpful hints, visit:
www.summitappliance.com/support