

## 27" WALL OVEN FILLER KIT TKSGWO27B & TKSOWO27SS

(Compatible with SGWOGD27\*)

If your new wall oven is shorter than the existing cabinet cutout from a previous installation, use the trim kit to cover the gap. Attach the trim kit following the provided instructions.

### This Kit Includes:

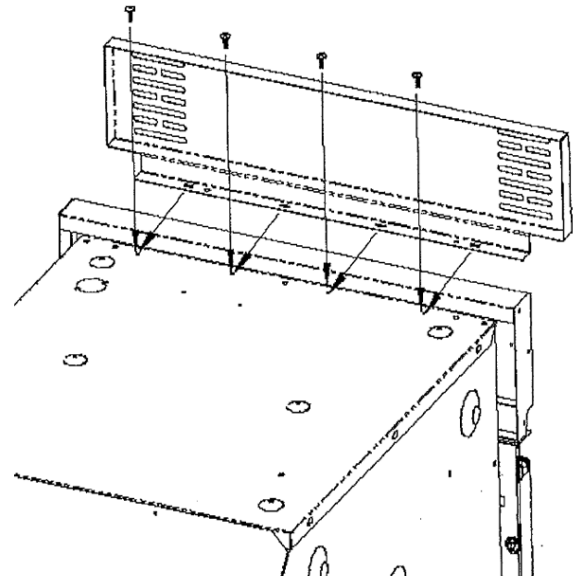
- Filler Trim (1)
- #8 x 3/4" pan head self-tapping screw (3)
- Instruction Sheet (1)

### You Will Need:

- Phillip's Head Screwdriver (1)

### Instructions:

1. Ensure all the components are included with your kit.
2. Align the filler trim on top of the wall oven till centered.
3. Drill through the top of the oven using the pre-drilled holes on the filler trim.
4. Slide the wall oven into place and complete installation.



*\*Note: The image shown is for reference only and may vary by model.*

*If you need assistance, please call our Customer Service facility at 800-932-4267 (Ext. 513) between 9:00 AM and 5:00 PM ET or visit our website [summitappliance.com/support](http://summitappliance.com/support) at any time. We will do our best to answer your questions.*